



THE CABINET FOR AUTOMATION

Preserving and enhancing environmental resources over time; investing in innovative production processes over the long term; offering high quality solutions: this is our company's philosophy, tangibly represented by E NUX, the top of the range ETA assembled cabinet system.

Innovation is deployed at multiple levels for E NUX: research for environmental protection and efficiency, investments in new high-tech machinery and energy-saving machining processes, new constructive concepts and selection of last-generation high-strength low-alloy steel with high-performance mechanical properties. E NUX cabinet system is a perfect match of made-in-Italy design and Cutting-edge technology and quality features, studied to enhance functionality, protection and versatility of your enclosure solutions.

BENEFITS

Innovative construction concepts	Sustainability
High performance high yield strength steel	Research and technology
Variety of solutions, configurations and dimensions	Flexibility
Rigid frame profile and sturdy structure	Strength
Innovative latch system	Functionality
Modern clean appearance and high aesthetics	Design
Perfect adherence to industry standards	Safety & reliability



e n u x

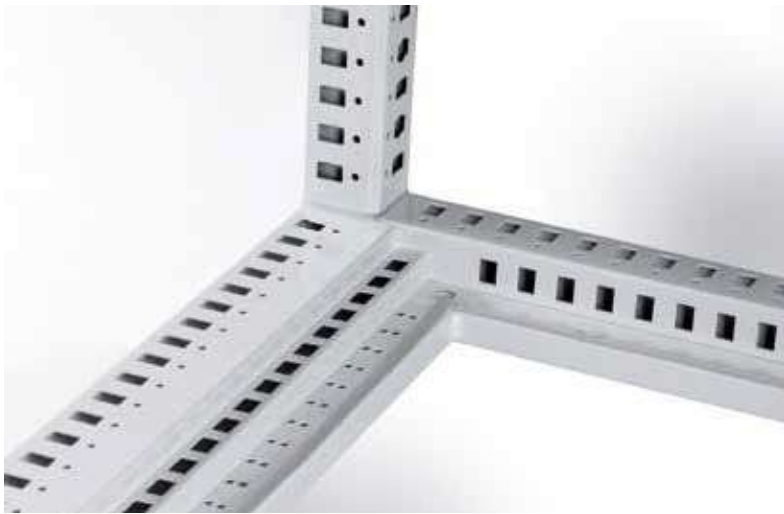
SUITE CABINET

FEATURES

- 1 Removable roof to simplify cable management.
- 2 Simple structure assembled with 8 screws only, thanks to the exclusive orthogonal joint manufactured from special steel.
- 3 Sturdy structural uprights manufactured from high-strength low-alloy steel with fiber laser welded closed symmetric profile.
- 4 Colour for top, plinth and handle (RAL 5020).
- 5 New Easy Lock Handle.
- 6 Locking system with a unique lever mechanism, unique design and:
 - 3-point locking for H=1400 and 1600
 - 4-point locking for H=1800 and 2000
 - 5-point locking for H=2200
 with possibility to mount different inserts and convenient lock release system of the slave door of the double door cabinet.
- 7 Reversible door with strengthening frame.
- 8 Sturdy panels for high structural stiffness.
- 9 Modular cable entry bottom with adjustable base plates and seal, consisting of one fiber laser-MIG hybrid welded piece with box-type construction manufactured from high-strength low-alloy steel.
- 10 Front-inserted mounting plate, which can be recessed flush with the uprights thanks to the effective sliding guides system integrated in the bottom.
- 11 Easy-to-assemble modular plinth EUZE
 - Possibility to adopt a fully modular Walk-On cable conduit.
 - Wide range of complementary accessories.
 - Wide range of sizes and unified structure for the configuration of automation cabinets, modular solutions, PC enclosures, control desks, 19" rack solutions, and telecom/networking cabinets.

Protection rating: IP55 - Nema 12 - IK10.





**E NUX: SUSTAINABLE,
STRONG AND PERFORMING CABINET**

STRENGTH

Improved mechanical features and higher pulling, twisting, bending resistance thanks to fiber laser welded box-type uprights manufactured from high-strength low-alloy sheet steel and one-piece cable entry bottom, with box-type structure of press-bent fiber laser-MIG hybrid welded profiles of high-strength low-alloy sheet steel. Double cable entry with central partition crosspiece integrated in the bottom for increased sturdiness.



SAFETY

Modular cable entry bottom featuring adjustable base plates with metal fixing elements to guarantee automatic grounding: included in the standard supply, adhesive seal for an optimal cable routing to preserve the IP protection degree.



STURDINESS

The unique and innovative bending concept of back and side panels with rounded folding, ensures undisputed structural stiffness combined with the benefit of smoother handling and high aesthetics.

DESIGN

The E NUX cabinet is characterised by unique aesthetics: the selected finishing and the colour impact represent the company's "sustainable" philosophy, while the new Easy-lock handle helps to differentiate the cabinet and further simplify the control board closing phase.



TECHNOLOGY

Lever-operated opening system with compact internal footprint, easy door release system for the slave door of the double door cabinet: with this opening concept, the operator no longer needs to put a hand into the cabinet and can use the same key as for the master door.



FLEXIBILITY

Over 90 standard dimensions, multiple configurations in mounted or flat-pack versions, selection between two different versions, full range of complementary accessories for multiple configurations. E NUX stands out for its wide range of solutions and multiple customization options.








ASSEMBLED CABINET

Suite

<p>IMAGES ARE ONLY INTENDED TO ILLUSTRATE THE PRODUCT</p>		E NUX				
DIMENSIONS W x H x D	CABINET WITH FRONT BLANK DOOR + REAR PANEL (1)	CABINET WITH DOUBLE BLANK DOOR + REAR PANEL (2)	CABINET WITH FRONT PLEXI DOOR + REAR PANEL (3)	CABINET WITH FRONT BLANK DOOR + REAR BLANK DOOR (4)	CABINET WITH DOUBLE BLANK DOOR + DOUBLE BLANK REAR DOOR (5)	
400 x 1600 x 400	ENUX041604PR			ENUX041604DP		
400 x 1600 x 500	ENUX041605PR			ENUX041605DP		
400 x 1600 x 600	ENUX041606PR			ENUX041606DP		
400 x 1800 x 400	ENUX041804PR			ENUX041804DP		
400 x 1800 x 500	ENUX041805PR			ENUX041805DP		
400 x 1800 x 600	ENUX041806PR			ENUX041806DP		
400 x 1800 x 800	ENUX041808PR			ENUX041808DP		
400 x 2000 x 400	ENUX042004PR			ENUX042004DP		
400 x 2000 x 500	ENUX042005PR			ENUX042005DP		
400 x 2000 x 600	ENUX042006PR			ENUX042006DP		
400 x 2000 x 800	ENUX042008PR			ENUX042008DP		
400 x 2200 x 500	ENUX042205PR			ENUX042205DP		
400 x 2200 x 600	ENUX042206PR			ENUX042206DP		
400 x 2200 x 800	ENUX042208PR			ENUX042208DP		
600 x 1400 x 400	ENUX061404PR		ENUX061404PV	ENUX061404DP		
600 x 1400 x 500	ENUX061405PR		ENUX061405PV	ENUX061405DP		
600 x 1600 x 400	ENUX061604PR		ENUX061604PV	ENUX061604DP		
600 x 1600 x 500	ENUX061605PR		ENUX061605PV	ENUX061605DP		
600 x 1600 x 600	ENUX061606PR		ENUX061606PV	ENUX061606DP		
600 x 1800 x 400	ENUX061804PR		ENUX061804PV	ENUX061804DP		
600 x 1800 x 500	ENUX061805PR		ENUX061805PV	ENUX061805DP		
600 x 1800 x 600	ENUX061806PR		ENUX061806PV	ENUX061806DP		
600 x 1800 x 800	ENUX061808PR		ENUX061808PV	ENUX061808DP		
600 x 2000 x 400	ENUX062004PR		ENUX062004PV	ENUX062004DP		
600 x 2000 x 500	ENUX062005PR		ENUX062005PV	ENUX062005DP		
600 x 2000 x 600	ENUX062006PR		ENUX062006PV	ENUX062006DP		
600 x 2000 x 800	ENUX062008PR		ENUX062008PV	ENUX062008DP		
600 x 2000 x 1000	ENUX062010PR		—	—		
600 x 2200 x 500	ENUX062205PR		ENUX062205PV	ENUX062205DP		
600 x 2200 x 600	ENUX062206PR		ENUX062206PV	ENUX062206DP		
600 x 2200 x 800	ENUX062208PR		ENUX062208PV	ENUX062208DP		
800 x 1400 x 400	ENUX081404PR		ENUX081404PV	ENUX081404DP		
800 x 1400 x 500	ENUX081405PR		ENUX081405PV	ENUX081405DP		
800 x 1600 x 400	ENUX081604PR		ENUX081604PV	ENUX081604DP		
800 x 1600 x 500	ENUX081605PR		ENUX081605PV	ENUX081605DP		
800 x 1600 x 600	ENUX081606PR		ENUX081606PV	ENUX081606DP		
800 x 1800 x 400	ENUX081804PR		ENUX081804PV	ENUX081804DP		
800 x 1800 x 500	ENUX081805PR		ENUX081805PV	ENUX081805DP		
800 x 1800 x 600	ENUX081806PR		ENUX081806PV	ENUX081806DP		
800 x 1800 x 800	ENUX081808PR		ENUX081808PV	ENUX081808DP		
800 x 2000 x 400	ENUX082004PR		ENUX082004PV	ENUX082004DP		
800 x 2000 x 500	ENUX082005PR		ENUX082005PV	ENUX082005DP		
800 x 2000 x 600	ENUX082006PR		ENUX082006PV	ENUX082006DP		
800 x 2000 x 800	ENUX082008PR		ENUX082008PV	ENUX082008DP		
800 x 2000 x 1000	ENUX082010PR		—	—		
800 x 2200 x 500	ENUX082205PR		ENUX082205PV	ENUX082205DP		
800 x 2200 x 600	ENUX082206PR		ENUX082206PV	ENUX082206DP		
800 x 2200 x 800	ENUX082208PR		ENUX082208PV	ENUX082208DP		

ASSEMBLED CABINET

Suite

IMAGES ARE ONLY INTENDED TO ILLUSTRATE THE PRODUCT	E NUX				
					
DIMENSIONS W x H x D	CABINET WITH FRONT BLANK DOOR + REAR PANEL (1)	CABINET WITH DOUBLE BLANK DOOR + REAR PANEL (2)	CABINET WITH FRONT PLEXI DOOR + REAR PANEL (3)	CABINET WITH FRONT BLANK DOOR + REAR BLANK DOOR (4)	CABINET WITH DOUBLE BLANK DOOR + DOUBLE BLANK REAR DOOR (5)
1000 x 1600 x 400	ENUX101604PR		ENUX101604PV	ENUX101604DP	
1000 x 1600 x 500	ENUX101605PR		ENUX101605PV	ENUX101605DP	
1000 x 1600 x 600	ENUX101606PR		ENUX101606PV	ENUX101606DP	
1000 x 1800 x 400	ENUX101804PR		ENUX101804PV	ENUX101804DP	
1000 x 1800 x 500	ENUX101805PR		ENUX101805PV	ENUX101805DP	
1000 x 1800 x 600	ENUX101806PR		ENUX101806PV	ENUX101806DP	
1000 x 1800 x 800	ENUX101808PR		ENUX101808PV	ENUX101808DP	
1000 x 2000 x 400	ENUX102004PR		ENUX102004PV	ENUX102004DP	
1000 x 2000 x 500	ENUX102005PR		ENUX102005PV	ENUX102005DP	
1000 x 2000 x 600	ENUX102006PR		ENUX102006PV	ENUX102006DP	
1000 x 2000 x 800	ENUX102008PR		ENUX102008PV	ENUX102008DP	
1000 x 2200 x 500	ENUX102205PR		ENUX102205PV	ENUX102205DP	
1000 x 2200 x 600	ENUX102206PR		ENUX102206PV	ENUX102206DP	
1000 x 2200 x 800	ENUX102208PR		ENUX102208PV	ENUX102208DP	
1200 x 1400 x 400		ENUX121404PR			ENUX121404DP
1200 x 1400 x 500		ENUX121405PR			ENUX121405DP
1200 x 1600 x 400		ENUX121604PR			ENUX121604DP
1200 x 1600 x 500		ENUX121605PR			ENUX121605DP
1200 x 1600 x 600		ENUX121606PR			ENUX121606DP
1200 x 1800 x 400		ENUX121804PR			ENUX121804DP
1200 x 1800 x 500		ENUX121805PR			ENUX121805DP
1200 x 1800 x 600		ENUX121806PR			ENUX121806DP
1200 x 1800 x 800		ENUX121808PR			ENUX121808DP
1200 x 2000 x 400		ENUX122004PR			ENUX122004DP
1200 x 2000 x 500		ENUX122005PR			ENUX122005DP
1200 x 2000 x 600		ENUX122006PR			ENUX122006DP
1200 x 2000 x 800		ENUX122008PR			ENUX122008DP
1200 x 2000 x 1000		ENUX122010PR			—
1200 x 2200 x 500		ENUX122205PR			ENUX122205DP
1200 x 2200 x 600		ENUX122206PR			ENUX122206DP
1200 x 2200 x 800		ENUX122208PR			ENUX122208DP
1400 x 2000 x 400		ENUX142004PR			ENUX142004DP
1400 x 2000 x 500		ENUX142005PR			ENUX142005DP
1400 x 2000 x 600		ENUX142006PR			ENUX142006DP
1400 x 2000 x 800		ENUX142008PR			ENUX142008DP
1600 x 1400 x 400		ENUX161404PR			ENUX161404DP
1600 x 1400 x 500		ENUX161405PR			ENUX161405DP
1600 x 2000 x 400		ENUX162004PR			ENUX162004DP
1600 x 2000 x 500		ENUX162005PR			ENUX162005DP
1600 x 2000 x 600		ENUX162006PR			ENUX162006DP
1600 x 2000 x 800		ENUX162008PR			ENUX162008DP

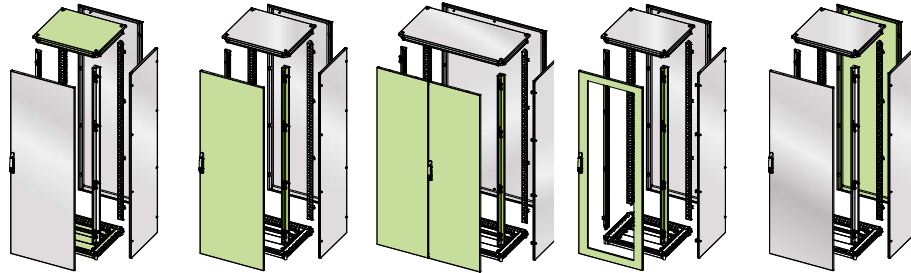
- (1) supply includes the cabinet frame, blank door and rear panel. To be ordered separately mounting plate, side panels, plinth, eyebolts WTGS-001
- (2) cabinet made up from structure, double blank door and rear panel; order the mounting plate, pair of side panels, the plinth and the eye-bolts WTGS-001 separately
- (3) supply includes the cabinet frame, plexi door and rear panel. To be ordered separately mounting plate, side panels, plinth, eyebolts WTGS-001
- (4) supply includes the cabinet frame, front door and rear door. To be ordered separately mounting plate, side panels, plinth, eyebolts WTGS-001
- (5) cabinet made up from structure, double front door and blank rear panel; order the mounting plate, pair of side panels, the plinth and the eye-bolts WTGS-001 separately



FLAT-PACK CABINET

Suite

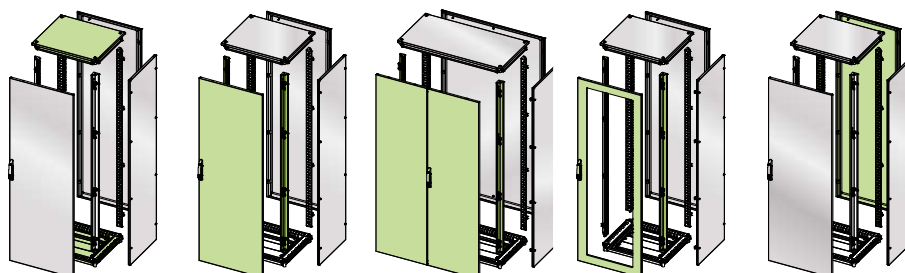
IMAGES ARE ONLY INTENDED TO ILLUSTRATE THE PRODUCT



DIMENSIONS W x H x D	ROOF + BOTTOM	FRONT BLANK DOOR + FRONT UPRIGHTS	DOUBLE FRONT BLANK DOOR + FRONT UPRIGHTS	PLEXI DOOR + FRONT UPRIGHTS	REAR PANEL + REAR UPRIGHTS
400 x 1600 x 400	EUTF040040	EUP0040160			EURE040160
400 x 1600 x 500	EUTF040050	EUP0040160			EURE040160
400 x 1600 x 600	EUTF040060	EUP0040160			EURE040160
400 x 1800 x 400	EUTF040040	EUP0040180			EURE040180
400 x 1800 x 500	EUTF040050	EUP0040180			EURE040180
400 x 1800 x 600	EUTF040060	EUP0040180			EURE040180
400 x 1800 x 800	EUTF040080	EUP0040180			EURE040180
400 x 2000 x 400	EUTF040040	EUP0040200			EURE040200
400 x 2000 x 500	EUTF040050	EUP0040200			EURE040200
400 x 2000 x 600	EUTF040060	EUP0040200			EURE040200
400 x 2000 x 800	EUTF040080	EUP0040200			EURE040200
400 x 2200 x 500	EUTF040050	EUP0040220			EURE040220
400 x 2200 x 600	EUTF040060	EUP0040220			EURE040220
400 x 2200 x 800	EUTF040080	EUP0040220			EURE040220
600 x 1400 x 400	EUTF060040	EUP0060140		EUPV060140	EURE060140
600 x 1400 x 500	EUTF060050	EUP0060140		EUPV060140	EURE060140
600 x 1600 x 400	EUTF060040	EUP0060160		EUPV060160	EURE060160
600 x 1600 x 500	EUTF060050	EUP0060160		EUPV060160	EURE060160
600 x 1600 x 600	EUTF060060	EUP0060160		EUPV060160	EURE060160
600 x 1800 x 400	EUTF060040	EUP0060180		EUPV060180	EURE060180
600 x 1800 x 500	EUTF060050	EUP0060180		EUPV060180	EURE060180
600 x 1800 x 600	EUTF060060	EUP0060180		EUPV060180	EURE060180
600 x 1800 x 800	EUTF060080	EUP0060180		EUPV060180	EURE060180
600 x 2000 x 400	EUTF060040	EUP0060200		EUPV060200	EURE060200
600 x 2000 x 500	EUTF060050	EUP0060200		EUPV060200	EURE060200
600 x 2000 x 600	EUTF060060	EUP0060200		EUPV060200	EURE060200
600 x 2000 x 800	EUTF060080	EUP0060200		EUPV060200	EURE060200
600 x 2200 x 500	EUTF060050	EUP0060220		EUPV060220	EURE060220
600 x 2200 x 600	EUTF060060	EUP0060220		EUPV060220	EURE060220
600 x 2200 x 800	EUTF060080	EUP0060220		EUPV060220	EURE060220
800 x 1400 x 400	EUTF080040	EUP0080140	EUP0080140DP	EUPV080140	EURE080140
800 x 1400 x 500	EUTF080050	EUP0080140	EUP0080140DP	EUPV080140	EURE080140
800 x 1600 x 400	EUTF080040	EUP0080160	EUP0080160DP	EUPV080160	EURE080160
800 x 1600 x 500	EUTF080050	EUP0080160	EUP0080160DP	EUPV080160	EURE080160
800 x 1600 x 600	EUTF080060	EUP0080160	EUP0080160DP	EUPV080160	EURE080160
800 x 1800 x 400	EUTF080040	EUP0080180	EUP0080180DP	EUPV080180	EURE080180
800 x 1800 x 500	EUTF080050	EUP0080180	EUP0080180DP	EUPV080180	EURE080180
800 x 1800 x 600	EUTF080060	EUP0080180	EUP0080180DP	EUPV080180	EURE080180
800 x 1800 x 800	EUTF080080	EUP0080180	EUP0080180DP	EUPV080180	EURE080180
800 x 2000 x 400	EUTF080040	EUP0080200	EUP0080200DP	EUPV080200	EURE080200
800 x 2000 x 500	EUTF080050	EUP0080200	EUP0080200DP	EUPV080200	EURE080200
800 x 2000 x 600	EUTF080060	EUP0080200	EUP0080200DP	EUPV080200	EURE080200
800 x 2000 x 800	EUTF080080	EUP0080200	EUP0080200DP	EUPV080200	EURE080200
800 x 2200 x 500	EUTF080050	EUP0080220	EUP0080220DP	EUPV080220	EURE080220
800 x 2200 x 600	EUTF080060	EUP0080220	EUP0080220DP	EUPV080220	EURE080220
800 x 2200 x 800	EUTF080080	EUP0080220	EUP0080220DP	EUPV080220	EURE080220

FLAT-PACK CABINET

IMAGES ARE ONLY INTENDED TO ILLUSTRATE THE PRODUCT



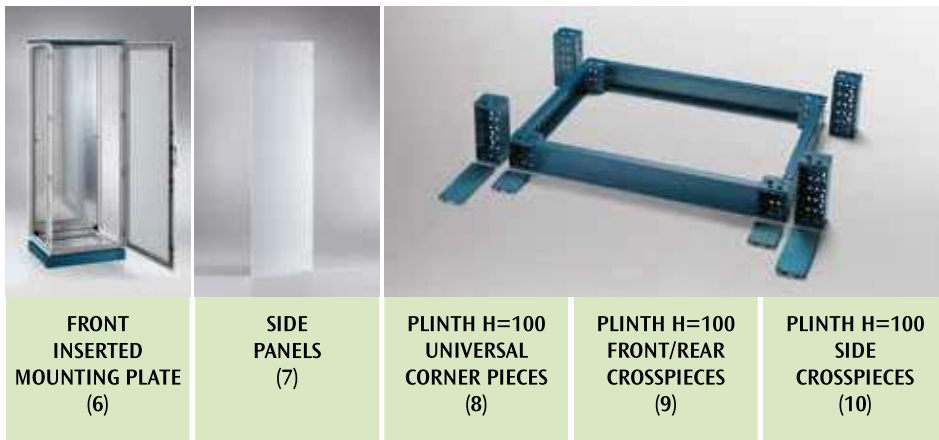
DIMENSIONS W x H x D	ROOF + BOTTOM	FRONT BLANK DOOR + FRONT UPRIGHTS	DOUBLE FRONT BLANK DOOR + FRONT UPRIGHTS	PLEXI DOOR + FRONT UPRIGHTS	REAR PANEL + REAR UPRIGHTS
1000 x 1600 x 400	EUTF100040	EUP0100160	EUP0100160DP	EUPV100160	EURE100160
1000 x 1600 x 500	EUTF100050	EUP0100160	EUP0100160DP	EUPV100160	EURE100160
1000 x 1600 x 600	EUTF100060	EUP0100160	EUP0100160DP	EUPV100160	EURE100160
1000 x 1800 x 400	EUTF100040	EUP0100180	EUP0100180DP	EUPV100180	EURE100180
1000 x 1800 x 500	EUTF100050	EUP0100180	EUP0100180DP	EUPV100180	EURE100180
1000 x 1800 x 600	EUTF100060	EUP0100180	EUP0100180DP	EUPV100180	EURE100180
1000 x 1800 x 800	EUTF100080	EUP0100180	EUP0100180DP	EUPV100180	EURE100180
1000 x 2000 x 400	EUTF100040	EUP0100200	EUP0100200DP	EUPV100200	EURE100200
1000 x 2000 x 500	EUTF100050	EUP0100200	EUP0100200DP	EUPV100200	EURE100200
1000 x 2000 x 600	EUTF100060	EUP0100200	EUP0100200DP	EUPV100200	EURE100200
1000 x 2000 x 800	EUTF100080	EUP0100200	EUP0100200DP	EUPV100200	EURE100200
1000 x 2200 x 500	EUTF100050	EUP0100220	EUP0100220DP	EUPV100220	EURE100220
1000 x 2200 x 600	EUTF100060	EUP0100220	EUP0100220DP	EUPV100220	EURE100220
1000 x 2200 x 800	EUTF100080	EUP0100220	EUP0100220DP	EUPV100220	EURE100220
1200 x 1400 x 400	EUTF120040		EUP0120140		EURE120140
1200 x 1400 x 500	EUTF120050		EUP0120140		EURE120140
1200 x 1600 x 400	EUTF120040		EUP0120160		EURE120160
1200 x 1600 x 500	EUTF120050		EUP0120160		EURE120160
1200 x 1600 x 600	EUTF120060		EUP0120160		EURE120160
1200 x 1800 x 400	EUTF120040		EUP0120180		EURE120180
1200 x 1800 x 500	EUTF120050		EUP0120180		EURE120180
1200 x 1800 x 600	EUTF120060		EUP0120180		EURE120180
1200 x 1800 x 800	EUTF120080		EUP0120180		EURE120180
1200 x 2000 x 400	EUTF120040		EUP0120200		EURE120200
1200 x 2000 x 500	EUTF120050		EUP0120200		EURE120200
1200 x 2000 x 600	EUTF120060		EUP0120200		EURE120200
1200 x 2000 x 800	EUTF120080		EUP0120200		EURE120200
1200 x 2200 x 500	EUTF120050		EUP0120220		EURE120220
1200 x 2200 x 600	EUTF120060		EUP0120220		EURE120220
1200 x 2200 x 800	EUTF120080		EUP0120220		EURE120220
1400 x 2000 x 400	EUTF140040		EUP0140200		EURE140200
1400 x 2000 x 500	EUTF140050		EUP0140200		EURE140200
1400 x 2000 x 600	EUTF140060		EUP0140200		EURE140200
1400 x 2000 x 800	EUTF140080		EUP0140200		EURE140200
1600 x 1400 x 400	EUTF160040		EUP0160140		EURE160140
1600 x 1400 x 500	EUTF160050		EUP0160140		EURE160140
1600 x 2000 x 400	EUTF160040		EUP0160200		EURE160200
1600 x 2000 x 500	EUTF160050		EUP0160200		EURE160200
1600 x 2000 x 600	EUTF160060		EUP0160200		EURE160200
1600 x 2000 x 800	EUTF160080		EUP0160200		EURE160200



ACCESSORIES TO COMPLETE THE CABINET

Suite

IMAGES ARE ONLY INTENDED TO ILLUSTRATE THE PRODUCT



DIMENSIONS W X H X D	FRONT INSERTED MOUNTING PLATE (6)	SIDE PANELS (7)	PLINTH H=100 UNIVERSAL CORNER PIECES (8)	PLINTH H=100 FRONT/REAR CROSSPIECES (9)	PLINTH H=100 SIDE CROSSPIECES (10)
200 x 1800 x 500					
200 x 2000 x 600					
300 x 1600 x 400		EUFI040160	EUZE-A100	EUZE-T0300	EUZE-T0400
300 x 1600 x 500		EUFI050160	EUZE-A100	EUZE-T0300	EUZE-T0500
300 x 1600 x 600		EUFI060160	EUZE-A100	EUZE-T0300	EUZE-T0600
300 x 1800 x 400		EUFI040180	EUZE-A100	EUZE-T0300	EUZE-T0400
300 x 1800 x 500		EUFI050180	EUZE-A100	EUZE-T0300	EUZE-T0500
300 x 1800 x 600		EUFI060180	EUZE-A100	EUZE-T0300	EUZE-T0600
300 x 1800 x 800		EUFI080180	EUZE-A100	EUZE-T0300	EUZE-T0800
300 x 2000 x 400		EUFI040200	EUZE-A100	EUZE-T0300	EUZE-T0400
300 x 2000 x 500		EUFI050200	EUZE-A100	EUZE-T0300	EUZE-T0500
300 x 2000 x 600		EUFI060200	EUZE-A100	EUZE-T0300	EUZE-T0600
300 x 2000 x 800		EUFI080200	EUZE-A100	EUZE-T0300	EUZE-T0800
300 x 2200 x 500		EUFI050220	EUZE-A100	EUZE-T0300	EUZE-T0500
300 x 2200 x 600		EUFI060220	EUZE-A100	EUZE-T0300	EUZE-T0600
300 x 2200 x 800		EUFI080220	EUZE-A100	EUZE-T0300	EUZE-T0800
400 x 1600 x 400	EUPA-040160	EUFI040160	EUZE-A100	EUZE-T0400	EUZE-T0400
400 x 1600 x 500	EUPA-040160	EUFI050160	EUZE-A100	EUZE-T0400	EUZE-T0500
400 x 1600 x 600	EUPA-040160	EUFI060160	EUZE-A100	EUZE-T0400	EUZE-T0600
400 x 1800 x 400	EUPA-040180	EUFI040180	EUZE-A100	EUZE-T0400	EUZE-T0400
400 x 1800 x 500	EUPA-040180	EUFI050180	EUZE-A100	EUZE-T0400	EUZE-T0500
400 x 1800 x 600	EUPA-040180	EUFI060180	EUZE-A100	EUZE-T0400	EUZE-T0600
400 x 1800 x 800	EUPA-040180	EUFI080180	EUZE-A100	EUZE-T0400	EUZE-T0800
400 x 2000 x 400	EUPA-040200	EUFI040200	EUZE-A100	EUZE-T0400	EUZE-T0400
400 x 2000 x 500	EUPA-040200	EUFI050200	EUZE-A100	EUZE-T0400	EUZE-T0500
400 x 2000 x 600	EUPA-040200	EUFI060200	EUZE-A100	EUZE-T0400	EUZE-T0600
400 x 2000 x 800	EUPA-040200	EUFI080200	EUZE-A100	EUZE-T0400	EUZE-T0800
400 x 2200 x 500	EUPA-040220	EUFI050220	EUZE-A100	EUZE-T0400	EUZE-T0500
400 x 2200 x 600	EUPA-040220	EUFI060220	EUZE-A100	EUZE-T0400	EUZE-T0600
400 x 2200 x 800	EUPA-040220	EUFI080220	EUZE-A100	EUZE-T0400	EUZE-T0800
600 x 1400 x 400	EUPA-060140	EUFI040140	EUZE-A100	EUZE-T0600	EUZE-T0400
600 x 1400 x 500	EUPA-060140	EUFI050140	EUZE-A100	EUZE-T0600	EUZE-T0500
600 x 1600 x 400	EUPA-060160	EUFI040160	EUZE-A100	EUZE-T0600	EUZE-T0400
600 x 1600 x 500	EUPA-060160	EUFI050160	EUZE-A100	EUZE-T0600	EUZE-T0500
600 x 1600 x 600	EUPA-060160	EUFI060160	EUZE-A100	EUZE-T0600	EUZE-T0600
600 x 1800 x 400	EUPA-060180	EUFI040180	EUZE-A100	EUZE-T0600	EUZE-T0400
600 x 1800 x 500	EUPA-060180	EUFI050180	EUZE-A100	EUZE-T0600	EUZE-T0500
600 x 1800 x 600	EUPA-060180	EUFI060180	EUZE-A100	EUZE-T0600	EUZE-T0600
600 x 1800 x 800	EUPA-060180	EUFI080180	EUZE-A100	EUZE-T0600	EUZE-T0800
600 x 2000 x 400	EUPA-060200	EUFI040200	EUZE-A100	EUZE-T0600	EUZE-T0400
600 x 2000 x 500	EUPA-060200	EUFI050200	EUZE-A100	EUZE-T0600	EUZE-T0500
600 x 2000 x 600	EUPA-060200	EUFI060200	EUZE-A100	EUZE-T0600	EUZE-T0600
600 x 2000 x 800	EUPA-060200	EUFI080200	EUZE-A100	EUZE-T0600	EUZE-T0800
600 x 2000 x 1000	EUPA-060200	EUFI100200	EUZE-A100	EUZE-T0600	EUZE-T1000
600 x 2200 x 500	EUPA-060220	EUFI050220	EUZE-A100	EUZE-T0600	EUZE-T0500
600 x 2200 x 600	EUPA-060220	EUFI060220	EUZE-A100	EUZE-T0600	EUZE-T0600
600 x 2200 x 800	EUPA-060220	EUFI080220	EUZE-A100	EUZE-T0600	EUZE-T0800

(6) to be ordered separately mounting accessories WTKB-002
 (7) supply includes 2 pieces

(8) supply includes 4 pieces
 (9) supply includes 2 pieces
 (10) supply includes 2 pieces



MAIN ACCESSORIES

DIMENSIONS W x H x D	IMAGES ARE ONLY INTENDED TO ILLUSTRATE THE PRODUCT					
	CABLE ENTRY MODULE FRONT OPENING (11) (12)	CABLE ENTRY MODULE SIDE OPENING W=200/300	INTERMEDIATE PLATE	SIDE INSERTED MOUNTING PLATE	INNER DOOR	FAST FIXING BRACKETS H=25 MM (13)
200 x 1800 x 500		EURP021805				
200 x 2000 x 600		EURP022006				
300 x 1600 x 400	ENUX031604					
300 x 1600 x 500	ENUX031605					
300 x 1600 x 600	ENUX031606					
300 x 1800 x 400	ENUX031804					
300 x 1800 x 500	ENUX031805	EURP031805				
300 x 1800 x 600	ENUX031806	EURP031806				
300 x 1800 x 800	ENUX031808	EURP031808				
300 x 2000 x 400	ENUX032004					
300 x 2000 x 500	ENUX032005	EURP032005				
300 x 2000 x 600	ENUX032006	EURP032006				
300 x 2000 x 800	ENUX032008	EURP032008				
300 x 2200 x 500	ENUX032205					
300 x 2200 x 600	ENUX032206					
300 x 2200 x 800	ENUX032208					
400 x 1600 x 400			EUPN-001600	EUPL-040160		WTPR-025040R
400 x 1600 x 500			EUPN-001600	EUPL-040160		WTPR-025050R
400 x 1600 x 600			EUPN-001600	EUPL-040160		WTPR-025060R
400 x 1800 x 400			EUPN-001800	EUPL-040180		WTPR-025040R
400 x 1800 x 500			EUPN-001800	EUPL-040180		WTPR-025050R
400 x 1800 x 600			EUPN-001800	EUPL-040180		WTPR-025060R
400 x 1800 x 800			EUPN-001800	EUPL-040180		WTPR-025080R
400 x 2000 x 400			EUPN-002000	EUPL-040200		WTPR-025040R
400 x 2000 x 500			EUPN-002000	EUPL-040200		WTPR-025050R
400 x 2000 x 600			EUPN-002000	EUPL-040200		WTPR-025060R
400 x 2000 x 800			EUPN-002000	EUPL-040200		WTPR-025080R
400 x 2200 x 500			EUPN-002200	EUPL-040220		WTPR-025050R
400 x 2200 x 600			EUPN-002200	EUPL-040220		WTPR-025060R
400 x 2200 x 800			EUPN-002200	EUPL-040220		WTPR-025080R
600 x 1400 x 400			EUPN-001400	EUPL-060140	EUI060140	WTPR-025040R
600 x 1400 x 500			EUPN-001400	EUPL-060140	EUI060140	WTPR-025050R
600 x 1600 x 400			EUPN-001600	EUPL-060160	EUI060160	WTPR-025040R
600 x 1600 x 500			EUPN-001600	EUPL-060160	EUI060160	WTPR-025050R
600 x 1600 x 600			EUPN-001600	EUPL-060160	EUI060160	WTPR-025060R
600 x 1800 x 400			EUPN-001800	EUPL-060180	EUI060180	WTPR-025040R
600 x 1800 x 500			EUPN-001800	EUPL-060180	EUI060180	WTPR-025050R
600 x 1800 x 600			EUPN-001800	EUPL-060180	EUI060180	WTPR-025060R
600 x 1800 x 800			EUPN-001800	EUPL-060180	EUI060180	WTPR-025080R
600 x 2000 x 400			EUPN-002000	EUPL-060200	EUI060200	WTPR-025040R
600 x 2000 x 500			EUPN-002000	EUPL-060200	EUI060200	WTPR-025050R
600 x 2000 x 600			EUPN-002000	EUPL-060200	EUI060200	WTPR-025060R
600 x 2000 x 800			EUPN-002000	EUPL-060200	EUI060200	WTPR-025080R
600 x 2000 x 1000			EUPN-002000	EUPL-060200	EUI060200	WTPR-025100R
600 x 2200 x 500			EUPN-002200	EUPL-060220	EUI060220	WTPR-025050R
600 x 2200 x 600			EUPN-002200	EUPL-060220	EUI060220	WTPR-025060R
600 x 2200 x 800			EUPN-002200	EUPL-060220	EUI060220	WTPR-025080R

(11) for the flat-pack version, see page 45

(12) supply includes cabinet frame, front door and rear panel. To be ordered separately plinth, side panels and eyebolts WTGS-001

(13) supply includes 4 pieces

Suite

Suite

ACCESSORIES TO COMPLETE THE CABINET

DIMENSIONS W x H x D	IMAGES ARE ONLY INTENDED TO ILLUSTRATE THE PRODUCT				
	FRONT INSERTED MOUNTING PLATE (6)	SIDE PANELS (7)	PLINTH H=100 UNIVERSAL CORNER PIECES (8)	PLINTH H=100 FRONT/REAR CROSSPIECES (9)	PLINTH H=100 SIDE CROSSPIECES (10)
800 x 1400 x 400	EUPA-080140	EUF1040140	EUZE-A100	EUZE-T0800	EUZE-T0400
800 x 1400 x 500	EUPA-080140	EUF1050140	EUZE-A100	EUZE-T0800	EUZE-T0500
800 x 1600 x 400	EUPA-080160	EUF1040160	EUZE-A100	EUZE-T0800	EUZE-T0400
800 x 1600 x 500	EUPA-080160	EUF1050160	EUZE-A100	EUZE-T0800	EUZE-T0500
800 x 1600 x 600	EUPA-080160	EUF1060160	EUZE-A100	EUZE-T0800	EUZE-T0600
800 x 1800 x 400	EUPA-080180	EUF1040180	EUZE-A100	EUZE-T0800	EUZE-T0400
800 x 1800 x 500	EUPA-080180	EUF1050180	EUZE-A100	EUZE-T0800	EUZE-T0500
800 x 1800 x 600	EUPA-080180	EUF1060180	EUZE-A100	EUZE-T0800	EUZE-T0600
800 x 1800 x 800	EUPA-080180	EUF1080180	EUZE-A100	EUZE-T0800	EUZE-T0800
800 x 2000 x 400	EUPA-080200	EUF1040200	EUZE-A100	EUZE-T0800	EUZE-T0400
800 x 2000 x 500	EUPA-080200	EUF1050200	EUZE-A100	EUZE-T0800	EUZE-T0500
800 x 2000 x 600	EUPA-080200	EUF1060200	EUZE-A100	EUZE-T0800	EUZE-T0600
800 x 2000 x 800	EUPA-080200	EUF1080200	EUZE-A100	EUZE-T0800	EUZE-T0800
800 x 2000 x 1000	EUPA-080200	EUF1100200	EUZE-A100	EUZE-T0800	EUZE-T1000
800 x 2200 x 500	EUPA-080220	EUF1050220	EUZE-A100	EUZE-T0800	EUZE-T0500
800 x 2200 x 600	EUPA-080220	EUF1060220	EUZE-A100	EUZE-T0800	EUZE-T0600
800 x 2200 x 800	EUPA-080220	EUF1080220	EUZE-A100	EUZE-T0800	EUZE-T0800
1000 x 1600 x 400	EUPA-100160	EUF1040160	EUZE-A100	EUZE-T1000	EUZE-T0400
1000 x 1600 x 500	EUPA-100160	EUF1050160	EUZE-A100	EUZE-T1000	EUZE-T0500
1000 x 1600 x 600	EUPA-100160	EUF1060160	EUZE-A100	EUZE-T1000	EUZE-T0600
1000 x 1800 x 400	EUPA-100180	EUF1040180	EUZE-A100	EUZE-T1000	EUZE-T0400
1000 x 1800 x 500	EUPA-100180	EUF1050180	EUZE-A100	EUZE-T1000	EUZE-T0500
1000 x 1800 x 600	EUPA-100180	EUF1060180	EUZE-A100	EUZE-T1000	EUZE-T0600
1000 x 1800 x 800	EUPA-100180	EUF1080180	EUZE-A100	EUZE-T1000	EUZE-T0800
1000 x 2000 x 400	EUPA-100200	EUF1040200	EUZE-A100	EUZE-T1000	EUZE-T0400
1000 x 2000 x 500	EUPA-100200	EUF1050200	EUZE-A100	EUZE-T1000	EUZE-T0500
1000 x 2000 x 600	EUPA-100200	EUF1060200	EUZE-A100	EUZE-T1000	EUZE-T0600
1000 x 2000 x 800	EUPA-100200	EUF1080200	EUZE-A100	EUZE-T1000	EUZE-T0800
1000 x 2200 x 500	EUPA-100220	EUF1050220	EUZE-A100	EUZE-T1000	EUZE-T0500
1000 x 2200 x 600	EUPA-100220	EUF1060220	EUZE-A100	EUZE-T1000	EUZE-T0600
1000 x 2200 x 800	EUPA-100220	EUF1080220	EUZE-A100	EUZE-T1000	EUZE-T0800

(6) to be ordered separately mounting accessories WTKB-002
 (7) supply includes 2 pieces

(8) supply includes 4 pieces
 (9) supply includes 2 pieces
 (10) supply includes 2 pieces

MAIN ACCESSORIES

Suite

IMAGES ARE ONLY INTENDED TO ILLUSTRATE THE PRODUCT						
DIMENSIONS W x H x D	CABLE ENTRY MODULE FRONT OPENING (11) (12)	CABLE ENTRY MODULE SIDE OPENING W=200/300	INTERMEDIATE PLATE	SIDE INSERTED MOUNTING PLATE	INNER DOOR	FAST FIXING BRACKETS H=25 MM (13)
800 x 1400 x 400			EUPN-001400	EUPL-080140	EUPI080140	WTPR-025040R
800 x 1400 x 500			EUPN-001400	EUPL-080140	EUPI080140	WTPR-025050R
800 x 1600 x 400			EUPN-001600	EUPL-080160	EUPI080160	WTPR-025040R
800 x 1600 x 500			EUPN-001600	EUPL-080160	EUPI080160	WTPR-025050R
800 x 1600 x 600			EUPN-001600	EUPL-080160	EUPI080160	WTPR-025060R
800 x 1800 x 400			EUPN-001800	EUPL-080180	EUPI080180	WTPR-025040R
800 x 1800 x 500			EUPN-001800	EUPL-080180	EUPI080180	WTPR-025050R
800 x 1800 x 600			EUPN-001800	EUPL-080180	EUPI080180	WTPR-025060R
800 x 1800 x 800			EUPN-001800	EUPL-080180	EUPI080180	WTPR-025080R
800 x 2000 x 400			EUPN-002000	EUPL-080200	EUPI080200	WTPR-025040R
800 x 2000 x 500			EUPN-002000	EUPL-080200	EUPI080200	WTPR-025050R
800 x 2000 x 600			EUPN-002000	EUPL-080200	EUPI080200	WTPR-025060R
800 x 2000 x 800			EUPN-002000	EUPL-080200	EUPI080200	WTPR-025080R
800 x 2200 x 500			EUPN-002200	EUPL-080220	EUPI080220	WTPR-025050R
800 x 2200 x 600			EUPN-002200	EUPL-080220	EUPI080220	WTPR-025060R
800 x 2200 x 800			EUPN-002200	EUPL-080220	EUPI080220	WTPR-025080R
1000 x 1600 x 400			EUPN-001600	EUPL-100160	EUPI100160	WTPR-025040R
1000 x 1600 x 500			EUPN-001600	EUPL-100160	EUPI100160	WTPR-025050R
1000 x 1600 x 600			EUPN-001600	EUPL-100160	EUPI100160	WTPR-025060R
1000 x 1800 x 400			EUPN-001800	EUPL-100180	EUPI100180	WTPR-025040R
1000 x 1800 x 500			EUPN-001800	EUPL-100180	EUPI100180	WTPR-025050R
1000 x 1800 x 600			EUPN-001800	EUPL-100180	EUPI100180	WTPR-025060R
1000 x 1800 x 800			EUPN-001800	EUPL-100180	EUPI100180	WTPR-025080R
1000 x 2000 x 400			EUPN-002000	EUPL-100200	EUPI100200	WTPR-025040R
1000 x 2000 x 500			EUPN-002000	EUPL-100200	EUPI100200	WTPR-025050R
1000 x 2000 x 600			EUPN-002000	EUPL-100200	EUPI100200	WTPR-025060R
1000 x 2000 x 800			EUPN-002000	EUPL-100200	EUPI100200	WTPR-025080R
1000 x 2200 x 500			EUPN-002200	EUPL-100220	EUPI100220	WTPR-025050R
1000 x 2200 x 600			EUPN-002200	EUPL-100220	EUPI100220	WTPR-025060R
1000 x 2200 x 800			EUPN-002200	EUPL-100220	EUPI100220	WTPR-025080R

(11) for the flat-pack version, see page 45

(12) supply includes cabinet frame, front door and rear panel. To be ordered separately plinth, side panels and eyebolts WTGS-001

(13) supply includes 4 pieces

Suite

ACCESSORIES TO COMPLETE THE CABINET

IMAGES ARE ONLY INTENDED TO ILLUSTRATE THE PRODUCT



**DIMENSIONS
W x H x D**

**FRONT
INSERTED
MOUNTING PLATE
(6)**

**SIDE
PANELS
(7)**

**PLINTH H=100
UNIVERSAL
CORNER PIECES
(8)**

**PLINTH H=100
FRONT/REAR
CROSSPIECES
(9)**

**PLINTH H=100
SIDE CROSSPIECES
(10)**

1200 x 1400 x 400	EUPA-120140	EUF1040140	EUZE-A100	EUZE-T1200	EUZE-T0400
1200 x 1400 x 500	EUPA-120140	EUF1050140	EUZE-A100	EUZE-T1200	EUZE-T0500
1200 x 1600 x 400	EUPA-120160	EUF1040160	EUZE-A100	EUZE-T1200	EUZE-T0400
1200 x 1600 x 500	EUPA-120160	EUF1050160	EUZE-A100	EUZE-T1200	EUZE-T0500
1200 x 1600 x 600	EUPA-120160	EUF1060160	EUZE-A100	EUZE-T1200	EUZE-T0600
1200 x 1800 x 400	EUPA-120180	EUF1040180	EUZE-A100	EUZE-T1200	EUZE-T0400
1200 x 1800 x 500	EUPA-120180	EUF1050180	EUZE-A100	EUZE-T1200	EUZE-T0500
1200 x 1800 x 600	EUPA-120180	EUF1060180	EUZE-A100	EUZE-T1200	EUZE-T0600
1200 x 1800 x 800	EUPA-120180	EUF1080180	EUZE-A100	EUZE-T1200	EUZE-T0800
1200 x 2000 x 400	EUPA-120200	EUF1040200	EUZE-A100	EUZE-T1200	EUZE-T0400
1200 x 2000 x 500	EUPA-120200	EUF1050200	EUZE-A100	EUZE-T1200	EUZE-T0500
1200 x 2000 x 600	EUPA-120200	EUF1060200	EUZE-A100	EUZE-T1200	EUZE-T0600
1200 x 2000 x 800	EUPA-120200	EUF1080200	EUZE-A100	EUZE-T1200	EUZE-T0800
1200 x 2000 x 1000	EUPA-120200	EUF1100200	EUZE-A100	EUZE-T1200	EUZE-T1000
1200 x 2200 x 500	EUPA-120220	EUF1050220	EUZE-A100	EUZE-T1200	EUZE-T0500
1200 x 2200 x 600	EUPA-120220	EUF1060220	EUZE-A100	EUZE-T1200	EUZE-T0600
1200 x 2200 x 800	EUPA-120220	EUF1080220	EUZE-A100	EUZE-T1200	EUZE-T0800
1400 x 2000 x 400	EUPA-140200	EUF1040200	EUZE-A100	EUZE-T1400	EUZE-T0400
1400 x 2000 x 500	EUPA-140200	EUF1050200	EUZE-A100	EUZE-T1400	EUZE-T0500
1400 x 2000 x 600	EUPA-140200	EUF1060200	EUZE-A100	EUZE-T1400	EUZE-T0600
1400 x 2000 x 800	EUPA-140200	EUF1080200	EUZE-A100	EUZE-T1400	EUZE-T0800
1600 x 1400 x 400	EUPA-160140	EUF1040140	EUZE-A100	EUZE-T1600	EUZE-T0400
1600 x 1400 x 500	EUPA-160140	EUF1050140	EUZE-A100	EUZE-T1600	EUZE-T0500
1600 x 2000 x 400	EUPA-160200	EUF1040200	EUZE-A100	EUZE-T1600	EUZE-T0400
1600 x 2000 x 500	EUPA-160200	EUF1050200	EUZE-A100	EUZE-T1600	EUZE-T0500
1600 x 2000 x 600	EUPA-160200	EUF1060200	EUZE-A100	EUZE-T1600	EUZE-T0600
1600 x 2000 x 800	EUPA-160200	EUF1080200	EUZE-A100	EUZE-T1600	EUZE-T0800

(6) to be ordered separately mounting accessories WTKB-002

(7) supply includes 2 pieces

(8) supply includes 4 pieces

(9) supply includes 2 pieces

(10) supply includes 2 pieces

MAIN ACCESSORIES

Suite

IMAGES ARE ONLY INTENDED TO ILLUSTRATE THE PRODUCT						
DIMENSIONS W x H x D	CABLE ENTRY MODULE FRONT OPENING (11) (12)	CABLE ENTRY MODULE SIDE OPENING W=200/300	INTERMEDIATE PLATE	SIDE INSERTED MOUNTING PLATE	INNER DOOR	FAST FIXING BRACKETS H=25 MM (13)
1200 x 1400 x 400			EUPN-001400	EUPL-120140		WTPR-025040R
1200 x 1400 x 500			EUPN-001400	EUPL-120140		WTPR-025050R
1200 x 1600 x 400			EUPN-001600	EUPL-120160		WTPR-025040R
1200 x 1600 x 500			EUPN-001600	EUPL-120160		WTPR-025050R
1200 x 1600 x 600			EUPN-001600	EUPL-120160		WTPR-025060R
1200 x 1800 x 400			EUPN-001800	EUPL-120180		WTPR-025040R
1200 x 1800 x 500			EUPN-001800	EUPL-120180		WTPR-025050R
1200 x 1800 x 600			EUPN-001800	EUPL-120180		WTPR-025060R
1200 x 1800 x 800			EUPN-001800	EUPL-120180		WTPR-025080R
1200 x 2000 x 400			EUPN-002000	EUPL-120200		WTPR-025040R
1200 x 2000 x 500			EUPN-002000	EUPL-120200		WTPR-025050R
1200 x 2000 x 600			EUPN-002000	EUPL-120200		WTPR-025060R
1200 x 2000 x 800			EUPN-002000	EUPL-120200		WTPR-025080R
1200 x 2000 x 1000			EUPN-002000	EUPL-120200		WTPR-025100R
1200 x 2200 x 500			EUPN-002200	EUPL-120220		WTPR-025050R
1200 x 2200 x 600			EUPN-002200	EUPL-120220		WTPR-025060R
1200 x 2200 x 800			EUPN-002200	EUPL-120220		WTPR-025080R
1400 x 2000 x 400			EUPN-002000	EUPL-140200		WTPR-025040R
1400 x 2000 x 500			EUPN-002000	EUPL-140200		WTPR-025050R
1400 x 2000 x 600			EUPN-002000	EUPL-140200		WTPR-025060R
1400 x 2000 x 800			EUPN-002000	EUPL-140200		WTPR-025080R
1600 x 1400 x 400			EUPN-001400	EUPL-160140		WTPR-025040R
1600 x 1400 x 500			EUPN-001400	EUPL-160140		WTPR-025050R
1600 x 2000 x 400			EUPN-002000	EUPL-160200		WTPR-025040R
1600 x 2000 x 500			EUPN-002000	EUPL-160200		WTPR-025050R
1600 x 2000 x 600			EUPN-002000	EUPL-160200		WTPR-025060R
1600 x 2000 x 800			EUPN-002000	EUPL-160200		WTPR-025080R

(11) for the flat-pack version, see page 45

(12) supply includes cabinet frame, front door and rear panel. To be ordered separately plinth, side panels and eyebolts WTGS-001

(13) supply includes 4 pieces



Suite



RAL 7035



RAL 5020



E NUX accessories, see page 47

EUPA front inserted mounting plate, see page 49

EUFI side panels, see page 58

EUZE modular plinth, see page 62

WTGS-001 eyebolts, see page 76

CHARACTERISTICS

The profile used for uprights and crosspieces is unique, manufactured from high-strength low-alloy sheet steel, closed with continuous fiber laser welding and free of sharp edges. The bottom is a single piece with box-type structure manufactured from press-bent fiber laser-MIG hybrid welded profiles manufactured from high-strength low-alloy sheet steel. The frame corners are manufactured with orthogonal joints laser welded to vertical upright rails and horizontal rails for the roof and bottom. Only 8 high-resistance screws are necessary to mount the structure, while two position pins allow the easy mounting of the two parts of the joint.

PAINT FINISH

ETA standard finishing cycle: paint-based primer with deposition by cathoresis with epoxy resin and finishing using thermosetting powders:

- structure: RAL 7035 smooth finish
- door and rear panel: RAL 7035 textured finish
- roof: RAL 5020 textured finish.



ASSEMBLED E NUX CABINET

- structure manufactured from high-strength low-alloy sheet steel
- door manufactured from sheet steel with stiffening frame, complete with Ø 3 mm lever-operated double bar locking system
- rear panel manufactured from sheet steel with rounded folding
- removable roof manufactured from sheet steel
- bottom manufactured from high-strength low-alloy sheet steel with adjustable cable entry (double cable entry for W=1000), complete with seal supplied separately.

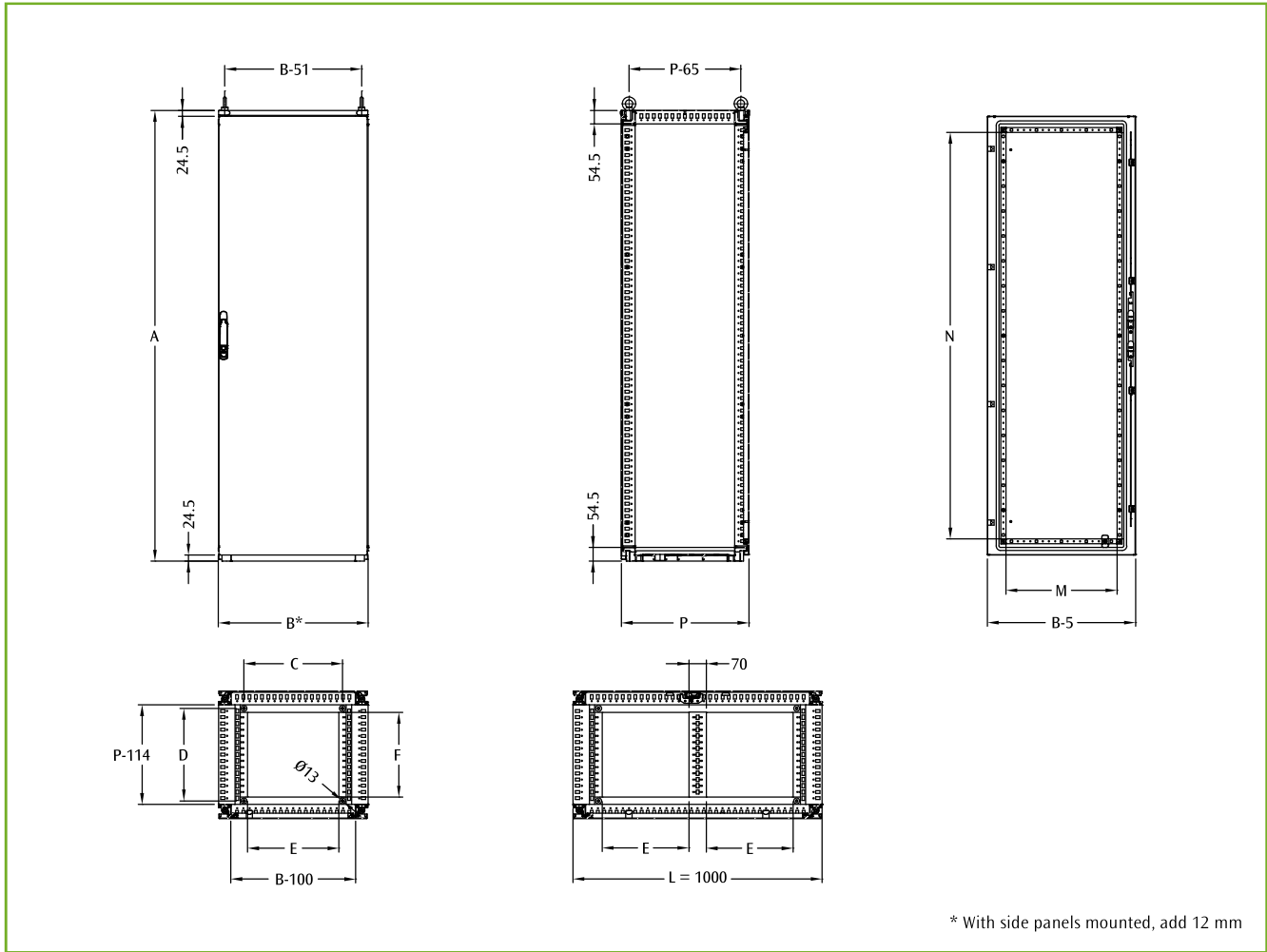
FLAT-PACK E NUX CABINET (ASSEMBLY WITH 8 SCREWS ONLY)

- composition to be assembled complying with customers requests
- panels and doors are supplied together with two vertical uprights complete with accessories.

PROTECTION RATING

- IP55 complying with IEC EN62208; EN60529
- NEMA 12 complying with UL508A; UL50
- protection degree guaranteed by the two-component polyurethane foam seal
- impact resistance IK10 complying with IEC EN62208; EN62262.

For further information, see the Technical section page 349.



* With side panels mounted, add 12 mm

🔍 For W=400, only stiffening vertical profiles.

Suite

DIMENSIONAL SPECIFICATIONS											
DIMENSIONS			CABINET DIMENSIONS			FLOOR FIXING		CABLE ENTRY		DOOR SPACE	
WIDTH	HEIGHT	DEPTH	B*	A	P	C	D	E	F	M	N
400	1600	400	400	1609	414	195	271	165	240	245	-
400	1600	500	400	1609	514	195	371	165	340	245	-
400	1600	600	400	1609	614	195	471	165	440	245	-
400	1800	400	400	1809	414	195	271	165	240	245	-
400	1800	500	400	1809	514	195	371	165	340	245	-
400	1800	600	400	1809	614	195	471	165	440	245	-
400	1800	800	400	1809	814	195	671	165	640	245	-
400	2000	400	400	2009	414	195	271	165	240	245	-
400	2000	500	400	2009	514	195	371	165	340	245	-
400	2000	600	400	2009	614	195	471	165	440	245	-
400	2000	800	400	2009	814	195	671	165	640	245	-
400	2200	500	400	2209	514	195	371	165	340	245	-
400	2200	600	400	2209	614	195	471	165	440	245	-
400	2200	800	400	2209	814	195	671	165	640	245	-
600	1400	400	600	1409	414	395	271	365	240	445	1230
600	1400	500	600	1409	514	395	371	365	340	445	1230
600	1600	400	600	1609	414	395	271	365	240	445	1430
600	1600	500	600	1609	514	395	371	365	340	445	1430
600	1600	600	600	1609	614	395	471	365	440	445	1430
600	1600	800	600	1609	814	395	671	365	640	445	1430
600	1800	400	600	1809	414	395	271	365	240	445	1630
600	1800	500	600	1809	514	395	371	365	340	445	1630
600	1800	600	600	1809	614	395	471	365	440	445	1630
600	1800	800	600	1809	814	395	671	365	640	445	1630
600	2000	400	600	2009	414	395	271	365	240	445	1830
600	2000	500	600	2009	514	395	371	365	340	445	1830
600	2000	600	600	2009	614	395	471	365	440	445	1830
600	2000	800	600	2009	814	395	671	365	640	445	1830
600	2000	1000	600	2009	1014	395	871	365	840	445	1830
600	2200	500	600	2209	514	395	371	365	340	445	2030
600	2200	600	600	2209	614	395	471	365	440	445	2030
600	2200	800	600	2209	814	395	671	365	640	445	2030
800	1400	400	800	1409	414	595	271	565	240	645	1230
800	1400	500	800	1409	514	595	371	565	340	645	1230
800	1600	400	800	1609	414	595	271	565	240	645	1430
800	1600	500	800	1609	514	595	371	565	340	645	1430
800	1600	600	800	1609	614	595	471	565	440	645	1430
800	1800	400	800	1809	414	595	271	565	240	645	1630
800	1800	500	800	1809	514	595	371	565	340	645	1630
800	1800	600	800	1809	614	595	471	565	440	645	1630
800	1800	800	800	1809	814	595	671	565	640	645	1630
800	2000	400	800	2009	414	595	271	565	240	645	1830
800	2000	500	800	2009	514	595	371	565	340	645	1830
800	2000	600	800	2009	614	595	471	565	440	645	1830
800	2000	800	800	2009	814	595	671	565	640	645	1830
800	2000	1000	800	2009	1014	595	871	565	840	645	1830
800	2200	500	800	2209	514	595	371	565	340	645	2030
800	2200	600	800	2209	614	595	471	565	440	645	2030
800	2200	800	800	2209	814	595	671	565	640	645	2030
1000	1600	400	1000	1609	414	795	271	347	240	845	1430
1000	1600	500	1000	1609	514	795	371	347	340	845	1430
1000	1600	600	1000	1609	614	795	471	347	440	845	1430
1000	1800	400	1000	1809	414	795	271	347	240	845	1630
1000	1800	500	1000	1809	514	795	371	347	340	845	1630
1000	1800	600	1000	1809	614	795	471	347	440	845	1630
1000	1800	800	1000	1809	814	795	671	347	640	845	1630
1000	2000	400	1000	2009	414	795	271	347	240	845	1830
1000	2000	500	1000	2009	514	795	371	347	340	845	1830
1000	2000	600	1000	2009	614	795	471	347	440	845	1830
1000	2000	800	1000	2009	814	795	671	347	640	845	1830
1000	2200	500	1000	2209	514	795	371	347	340	845	2030
1000	2200	600	1000	2209	614	795	471	347	440	845	2030
1000	2200	800	1000	2209	814	795	671	347	640	845	2030

400			CODES FOR ASSEMBLED CABINET		
CABINET DIMENSIONS			CABINET WITH FRONT BLANK DOOR	CABINET WITH FRONT BLANK DOOR	
WIDTH	HEIGHT	DEPTH	+ REAR PANEL	+ REAR DOOR	
400	1600	400	ENUX041604PR	ENUX041604DP	
400	1600	500	ENUX041605PR	ENUX041605DP	
400	1600	600	ENUX041606PR	ENUX041606DP	
400	1800	400	ENUX041804PR	ENUX041804DP	
400	1800	500	ENUX041805PR	ENUX041805DP	
400	1800	600	ENUX041806PR	ENUX041806DP	
400	1800	800	ENUX041808PR	ENUX041808DP	
400	2000	400	ENUX042004PR	ENUX042004DP	
400	2000	500	ENUX042005PR	ENUX042005DP	
400	2000	600	ENUX042006PR	ENUX042006DP	
400	2000	800	ENUX042008PR	ENUX042008DP	
400	2200	500	ENUX042205PR	ENUX042205DP	
400	2200	600	ENUX042206PR	ENUX042206DP	
400	2200	800	ENUX042208PR	ENUX042208DP	

400			CODES FOR FLAT-PACK CABINET		
CABINET DIMENSIONS			ROOF + BOTTOM	BLANK DOOR	REAR PANEL
WIDTH	HEIGHT	DEPTH		+ FRONT UPRIGHTS	+ REAR UPRIGHTS
400	1600	400	EUTF040040	EUP0040160	EURE040160
400	1600	500	EUTF040050	EUP0040160	EURE040160
400	1600	600	EUTF040060	EUP0040160	EURE040160
400	1800	400	EUTF040040	EUP0040180	EURE040180
400	1800	500	EUTF040050	EUP0040180	EURE040180
400	1800	600	EUTF040060	EUP0040180	EURE040180
400	1800	800	EUTF040080	EUP0040180	EURE040180
400	2000	400	EUTF040040	EUP0040200	EURE040200
400	2000	500	EUTF040050	EUP0040200	EURE040200
400	2000	600	EUTF040060	EUP0040200	EURE040200
400	2000	800	EUTF040080	EUP0040200	EURE040200
400	2200	500	EUTF040050	EUP0040220	EURE040220
400	2200	600	EUTF040060	EUP0040220	EURE040220
400	2200	800	EUTF040080	EUP0040220	EURE040220

Suite

600			CODES FOR ASSEMBLED CABINET		
CABINET DIMENSIONS			CABINET WITH FRONT BLANK DOOR	CABINET WITH FRONT PLEXI DOOR	CABINET WITH FRONT BLANK DOOR
WIDTH	HEIGHT	DEPTH	+ REAR PANEL	+ REAR PANEL	+ REAR DOOR
600	1400	400	ENUX061404PR	ENUX061404PV	ENUX061404DP
600	1400	500	ENUX061405PR	ENUX061405PV	ENUX061405DP
600	1600	400	ENUX061604PR	ENUX061604PV	ENUX061604DP
600	1600	500	ENUX061605PR	ENUX061605PV	ENUX061605DP
600	1600	600	ENUX061606PR	ENUX061606PV	ENUX061606DP
600	1800	400	ENUX061804PR	ENUX061804PV	ENUX061804DP
600	1800	500	ENUX061805PR	ENUX061805PV	ENUX061805DP
600	1800	600	ENUX061806PR	ENUX061806PV	ENUX061806DP
600	1800	800	ENUX061808PR	ENUX061808PV	ENUX061808DP
600	2000	400	ENUX062004PR	ENUX062004PV	ENUX062004DP
600	2000	500	ENUX062005PR	ENUX062005PV	ENUX062005DP
600	2000	600	ENUX062006PR	ENUX062006PV	ENUX062006DP
600	2000	800	ENUX062008PR	ENUX062008PV	ENUX062008DP
600	2000	1000	ENUX062010PR	—	—
600	2200	500	ENUX062205PR	ENUX062205PV	ENUX062205DP
600	2200	600	ENUX062206PR	ENUX062206PV	ENUX062206DP
600	2200	800	ENUX062208PR	ENUX062208PV	ENUX062208DP

600			CODES FOR FLAT-PACK CABINET			
CABINET DIMENSIONS			ROOF + BOTTOM	BLANK DOOR	PLEXI DOOR	REAR PANEL
WIDTH	HEIGHT	DEPTH		+ FRONT UPRIGHTS	+ FRONT UPRIGHTS	+ REAR UPRIGHTS
600	1400	400	EUTF060040	EUP0060140	EUPV060140	EURE060140
600	1400	500	EUTF060050	EUP0060140	EUPV060140	EURE060140
600	1600	400	EUTF060040	EUP0060160	EUPV060160	EURE060160
600	1600	500	EUTF060050	EUP0060160	EUPV060160	EURE060160
600	1600	600	EUTF060060	EUP0060160	EUPV060160	EURE060160
600	1800	400	EUTF060040	EUP0060180	EUPV060180	EURE060180
600	1800	500	EUTF060050	EUP0060180	EUPV060180	EURE060180
600	1800	600	EUTF060060	EUP0060180	EUPV060180	EURE060180
600	1800	800	EUTF060080	EUP0060180	EUPV060180	EURE060180
600	2000	400	EUTF060040	EUP0060200	EUPV060200	EURE060200
600	2000	500	EUTF060050	EUP0060200	EUPV060200	EURE060200
600	2000	600	EUTF060060	EUP0060200	EUPV060200	EURE060200
600	2000	800	EUTF060080	EUP0060200	EUPV060200	EURE060200
600	2200	500	EUTF060050	EUP0060220	EUPV060220	EURE060220
600	2200	600	EUTF060060	EUP0060220	EUPV060220	EURE060220
600	2200	800	EUTF060080	EUP0060220	EUPV060220	EURE060220

800			CODES FOR ASSEMBLED CABINET		
CABINET DIMENSIONS			CABINET WITH FRONT BLANK DOOR	CABINET WITH FRONT PLEXI DOOR	CABINET WITH FRONT BLANK DOOR
WIDTH	HEIGHT	DEPTH	+ REAR PANEL	+ REAR PANEL	+ REAR DOOR
800	1400	400	ENUX081404PR	ENUX081404PV	ENUX081404DP
800	1400	500	ENUX081405PR	ENUX081405PV	ENUX081405DP
800	1600	400	ENUX081604PR	ENUX081604PV	ENUX081604DP
800	1600	500	ENUX081605PR	ENUX081605PV	ENUX081605DP
800	1600	600	ENUX081606PR	ENUX081606PV	ENUX081606DP
800	1800	400	ENUX081804PR	ENUX081804PV	ENUX081804DP
800	1800	500	ENUX081805PR	ENUX081805PV	ENUX081805DP
800	1800	600	ENUX081806PR	ENUX081806PV	ENUX081806DP
800	1800	800	ENUX081808PR	ENUX081808PV	ENUX081808DP
800	2000	400	ENUX082004PR	ENUX082004PV	ENUX082004DP
800	2000	500	ENUX082005PR	ENUX082005PV	ENUX082005DP
800	2000	600	ENUX082006PR	ENUX082006PV	ENUX082006DP
800	2000	800	ENUX082008PR	ENUX082008PV	ENUX082008DP
800	2000	1000	ENUX082010PR	—	—
800	2200	500	ENUX082205PR	ENUX082205PV	ENUX082205DP
800	2200	600	ENUX082206PR	ENUX082206PV	ENUX082206DP
800	2200	800	ENUX082208PR	ENUX082208PV	ENUX082208DP

800			CODES FOR FLAT-PACK CABINET			
CABINET DIMENSIONS			ROOF + BOTTOM	BLANK DOOR	PLEXI DOOR	REAR PANEL
WIDTH	HEIGHT	DEPTH		+ FRONT UPRIGHTS	+ FRONT UPRIGHTS	+ REAR UPRIGHTS
800	1400	400	EUTF080040	EUP0080140	EUPV080140	EURE080140
800	1400	500	EUTF080050	EUP0080140	EUPV080140	EURE080140
800	1600	400	EUTF080040	EUP0080160	EUPV080160	EURE080160
800	1600	500	EUTF080050	EUP0080160	EUPV080160	EURE080160
800	1600	600	EUTF080060	EUP0080160	EUPV080160	EURE080160
800	1800	400	EUTF080040	EUP0080180	EUPV080180	EURE080180
800	1800	500	EUTF080050	EUP0080180	EUPV080180	EURE080180
800	1800	600	EUTF080060	EUP0080180	EUPV080180	EURE080180
800	1800	800	EUTF080080	EUP0080180	EUPV080180	EURE080180
800	2000	400	EUTF080040	EUP0080200	EUPV080200	EURE080200
800	2000	500	EUTF080050	EUP0080200	EUPV080200	EURE080200
800	2000	600	EUTF080060	EUP0080200	EUPV080200	EURE080200
800	2000	800	EUTF080080	EUP0080200	EUPV080200	EURE080200
800	2200	500	EUTF080050	EUP0080220	EUPV080220	EURE080220
800	2200	600	EUTF080060	EUP0080220	EUPV080220	EURE080220
800	2200	800	EUTF080080	EUP0080220	EUPV080220	EURE080220

Suite

1000			CODES FOR ASSEMBLED CABINET		
CABINET DIMENSIONS			CABINET WITH FRONT BLANK DOOR	CABINET WITH FRONT PLEXI DOOR	CABINET WITH FRONT BLANK DOOR
WIDTH	HEIGHT	DEPTH	+ REAR PANEL	+ REAR PANEL	+ REAR DOOR
1000	1600	400	ENUX101604PR	ENUX101604PV	ENUX101604DP
1000	1600	500	ENUX101605PR	ENUX101605PV	ENUX101605DP
1000	1600	600	ENUX101606PR	ENUX101606PV	ENUX101606DP
1000	1800	400	ENUX101804PR	ENUX101804PV	ENUX101804DP
1000	1800	500	ENUX101805PR	ENUX101805PV	ENUX101805DP
1000	1800	600	ENUX101806PR	ENUX101806PV	ENUX101806DP
1000	1800	800	ENUX101808PR	ENUX101808PV	ENUX101808DP
1000	2000	400	ENUX102004PR	ENUX102004PV	ENUX102004DP
1000	2000	500	ENUX102005PR	ENUX102005PV	ENUX102005DP
1000	2000	600	ENUX102006PR	ENUX102006PV	ENUX102006DP
1000	2000	800	ENUX102008PR	ENUX102008PV	ENUX102008DP
1000	2200	500	ENUX102205PR	ENUX102205PV	ENUX102205DP
1000	2200	600	ENUX102206PR	ENUX102206PV	ENUX102206DP
1000	2200	800	ENUX102208PR	ENUX102208PV	ENUX102208DP

1000			CODES FOR ASSEMBLED CABINET		
CABINET DIMENSIONS			CABINET WITH DOUBLE FRONT BLANK DOOR + DOUBLE REAR BLANK DOOR	CABINET WITH DOUBLE FRONT BLANK DOOR + REAR PANEL	CABINET WITH FRONT BLANK DOOR + DOUBLE REAR BLANK DOOR
WIDTH	HEIGHT	DEPTH			
1000	1600	400	ENUX101604DPDP	ENUX101604DPR	ENUX101604PDP
1000	1600	500	ENUX101605DPDP	ENUX101605DPR	ENUX101605PDP
1000	1600	600	ENUX101606DPDP	ENUX101606DPR	ENUX101606PDP
1000	1800	400	ENUX101804DPDP	ENUX101804DPR	ENUX101804PDP
1000	1800	500	ENUX101805DPDP	ENUX101805DPR	ENUX101805PDP
1000	1800	600	ENUX101806DPDP	ENUX101806DPR	ENUX101806PDP
1000	1800	800	ENUX101808DPDP	ENUX101808DPR	ENUX101808PDP
1000	2000	400	ENUX102004DPDP	ENUX102004DPR	ENUX102004PDP
1000	2000	500	ENUX102005DPDP	ENUX102005DPR	ENUX102005PDP
1000	2000	600	ENUX102006DPDP	ENUX102006DPR	ENUX102006PDP
1000	2000	800	ENUX102008DPDP	ENUX102008DPR	ENUX102008PDP
1000	2200	500	ENUX102205DPDP	ENUX102205DPR	ENUX102205PDP
1000	2200	600	ENUX102206DPDP	ENUX102206DPR	ENUX102206PDP
1000	2200	800	ENUX102208DPDP	ENUX102208DPR	ENUX102208PDP

1000			CODES FOR FLAT-PACK CABINET				
CABINET DIMENSIONS			ROOF + BOTTOM	BLANK DOOR W=1000* + FRONT UPRIGHTS	*OR DOUBLE DOOR 500+500	PLEXI DOOR + FRONT UPRIGHTS	REAR PANEL + REAR UPRIGHTS
WIDTH	HEIGHT	DEPTH					
1000	1600	400	EUTF100040	EUPO100160	EUPO100160DP	EUPV100160	EURE100160
1000	1600	500	EUTF100050	EUPO100160	EUPO100160DP	EUPV100160	EURE100160
1000	1600	600	EUTF100060	EUPO100160	EUPO100160DP	EUPV100160	EURE100160
1000	1800	400	EUTF100040	EUPO100180	EUPO100180DP	EUPV100180	EURE100180
1000	1800	500	EUTF100050	EUPO100180	EUPO100180DP	EUPV100180	EURE100180
1000	1800	600	EUTF100060	EUPO100180	EUPO100180DP	EUPV100180	EURE100180
1000	1800	800	EUTF100080	EUPO100180	EUPO100180DP	EUPV100180	EURE100180
1000	2000	400	EUTF100040	EUPO100200	EUPO100200DP	EUPV100200	EURE100200
1000	2000	500	EUTF100050	EUPO100200	EUPO100200DP	EUPV100200	EURE100200
1000	2000	600	EUTF100060	EUPO100200	EUPO100200DP	EUPV100200	EURE100200
1000	2000	800	EUTF100080	EUPO100200	EUPO100200DP	EUPV100200	EURE100200
1000	2200	500	EUTF100050	EUPO100220	EUPO100220DP	EUPV100220	EURE100220
1000	2200	600	EUTF100060	EUPO100220	EUPO100220DP	EUPV100220	EURE100220
1000	2200	800	EUTF100080	EUPO100220	EUPO100220DP	EUPV100220	EURE100220





Suite



RAL 7035



RAL 5020



E NUX accessories, see page 47

EUPA front inserted mounting plate, see page 49

EUFI side panels, see page 58

EUZE modular plinth, see page 62

WTGS-001 eyebolts, see page 76

CHARACTERISTICS

The profile used for uprights and crosspieces is unique, manufactured from high-strength low-alloy sheet steel, closed with continuous fiber laser welding and free of sharp edges. The bottom is a single piece with box-type structure manufactured from press-bent fiber laser-MIG hybrid welded profiles of high-strength low-alloy sheet steel and an integrated central partition crosspiece. The frame corners are manufactured with orthogonal joints laser welded to vertical upright rails and horizontal rails for the roof and bottom. Only 8 high resistance screws are necessary to mount the structure, while two position pins allow the easy mounting of the two parts of the joint.

PAINT FINISH

ETA standard finishing cycle: paint-based primer with deposition by cataphoresis with epoxy resin and finishing using thermosetting powders:

- structure: RAL 7035 smooth finish
- doors and rear panel: RAL 7035 textured finish
- roof: RAL 5020 textured finish.



ASSEMBLED E NUX CABINET

- structure manufactured from high-strength low-alloy sheet steel
- door manufactured from sheet steel with stiffening frame, complete with Ø 3 mm lever-operated double bar locking system
- rear panel manufactured from sheet steel with rounded folding
- removable roof manufactured from sheet steel
- bottom manufactured from high-strength low-alloy sheet steel with adjustable double cable entry, complete with seal supplied separately.

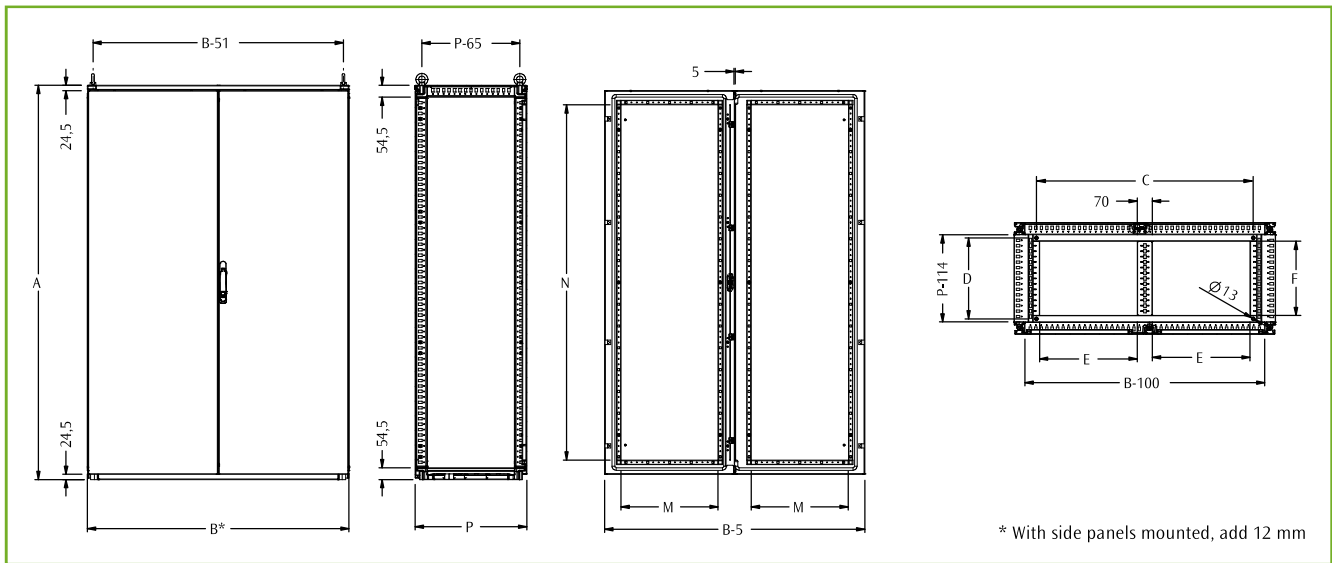
FLAT-PACK E NUX CABINET (ASSEMBLY WITH 8 SCREWS ONLY)

- composition to be assembled complying with customers requests
- panels and doors are supplied together with two vertical uprights complete with accessories.

PROTECTION RATING

- IP55 complying with IEC EN62208; EN60529
- NEMA 12 complying with UL508A; UL50
- protection degree guaranteed by the two-component polyurethane foam seal
- impact resistance IK10 complying with IEC EN62208; EN62262.

For further information, see the Technical section page 349.



DIMENSIONAL SPECIFICATIONS

DIMENSIONS			CABINET DIMENSIONS			FLOOR FIXING		CABLE ENTRY		DOOR SPACE	
WIDTH	HEIGHT	DEPTH	B*	A	P	C	D	E	F	M	N
1000	1600	400	500+500	1609	414	795	271	347	240	245	1430
1000	1600	500	500+500	1609	514	795	371	347	340	245	1430
1000	1600	600	500+500	1609	614	795	471	347	440	245	1430
1000	1800	400	500+500	1809	414	795	271	347	240	245	1630
1000	1800	500	500+500	1809	514	795	371	347	340	245	1630
1000	1800	600	500+500	1809	614	795	471	347	440	245	1630
1000	1800	800	500+500	1809	814	795	671	347	640	245	1630
1000	2000	400	500+500	2009	414	795	271	347	240	245	1830
1000	2000	500	500+500	2009	514	795	371	347	340	245	1830
1000	2000	600	500+500	2009	614	795	471	347	440	245	1830
1000	2000	800	500+500	2009	814	795	671	347	640	245	1830
1000	2200	500	500+500	2209	514	795	371	347	340	245	2030
1000	2200	600	500+500	2209	614	795	471	347	440	245	2030
1000	2200	800	500+500	2209	814	795	671	347	640	245	2030
1200	1400	400	1200	1409	414	995	271	447	240	445	1230
1200	1400	500	1200	1409	514	995	371	447	340	445	1230
1200	1600	400	1200	1609	414	995	271	447	240	445	1430
1200	1600	500	1200	1609	514	995	371	447	340	445	1430
1200	1600	600	1200	1609	614	995	471	447	440	445	1430
1200	1800	400	1200	1809	414	995	271	447	240	445	1630
1200	1800	500	1200	1809	514	995	371	447	340	445	1630
1200	1800	600	1200	1809	614	995	471	447	440	445	1630
1200	1800	800	1200	1809	814	995	671	447	640	445	1630
1200	2000	400	1200	2009	414	995	271	447	240	445	1830
1200	2000	500	1200	2009	514	995	371	447	340	445	1830
1200	2000	600	1200	2009	614	995	471	447	440	445	1830
1200	2000	800	1200	2009	814	995	671	447	640	445	1830
1200	2000	1000	1200	2009	1014	995	871	447	840	445	1830
1200	2200	500	1200	2209	514	995	371	447	340	445	2030
1200	2200	600	1200	2209	614	995	471	447	440	445	2030
1200	2200	800	1200	2209	814	995	671	447	640	445	2030
1400	2000	400	1400	2009	414	1195	271	547	240	545	1830
1400	2000	500	1400	2009	514	1195	371	547	340	545	1830
1400	2000	600	1400	2009	614	1195	471	547	440	545	1830
1400	2000	800	1400	2009	814	1195	671	547	640	545	1830
1600	1400	400	1600	1409	414	1395	271	647	240	645	1230
1600	1400	500	1600	1409	514	1395	371	647	340	645	1230
1600	2000	400	1600	2009	414	1395	271	647	240	645	1830
1600	2000	500	1600	2009	514	1395	371	647	340	645	1830
1600	2000	600	1600	2009	614	1395	471	647	440	645	1830
1600	2000	800	1600	2009	814	1395	671	647	640	645	1830

Suite

1200			CODES FOR ASSEMBLED CABINET		
CABINET DIMENSIONS			CABINET WITH FRONT BLANK DOORS 600+600	CABINET WITH FRONT BLANK DOORS 600+600	
WIDTH	HEIGHT	DEPTH	+ REAR PANEL	+ REAR DOORS 600+600	
1200	1400	400	ENUX121404PR	ENUX121404DP	
1200	1400	500	ENUX121405PR	ENUX121405DP	
1200	1600	400	ENUX121604PR	ENUX121604DP	
1200	1600	500	ENUX121605PR	ENUX121605DP	
1200	1600	600	ENUX121606PR	ENUX121606DP	
1200	1800	400	ENUX121804PR	ENUX121804DP	
1200	1800	500	ENUX121805PR	ENUX121805DP	
1200	1800	600	ENUX121806PR	ENUX121806DP	
1200	1800	800	ENUX121808PR	ENUX121808DP	
1200	2000	400	ENUX122004PR	ENUX122004DP	
1200	2000	500	ENUX122005PR	ENUX122005DP	
1200	2000	600	ENUX122006PR	ENUX122006DP	
1200	2000	800	ENUX122008PR	ENUX122008DP	
1200	2000	1000	ENUX122010PR	—	
1200	2200	500	ENUX122205PR	ENUX122205DP	
1200	2200	600	ENUX122206PR	ENUX122206DP	
1200	2200	800	ENUX122208PR	ENUX122208DP	

1200			CODES FOR FLAT-PACK CABINET		
CABINET DIMENSIONS			ROOF + BOTTOM	DOUBLE BLANK DOORS 600+600	REAR PANEL
WIDTH	HEIGHT	DEPTH		+ FRONT UPRIGHTS	+ REAR UPRIGHTS
1200	1400	400	EUTF120040	EUP0120140	EURE120140
1200	1400	500	EUTF120050	EUP0120140	EURE120140
1200	1600	400	EUTF120040	EUP0120160	EURE120160
1200	1600	500	EUTF120050	EUP0120160	EURE120160
1200	1600	600	EUTF120060	EUP0120160	EURE120160
1200	1800	400	EUTF120040	EUP0120180	EURE120180
1200	1800	500	EUTF120050	EUP0120180	EURE120180
1200	1800	600	EUTF120060	EUP0120180	EURE120180
1200	1800	800	EUTF120080	EUP0120180	EURE120180
1200	2000	400	EUTF120040	EUP0120200	EURE120200
1200	2000	500	EUTF120050	EUP0120200	EURE120200
1200	2000	600	EUTF120060	EUP0120200	EURE120200
1200	2000	800	EUTF120080	EUP0120200	EURE120200
1200	2200	500	EUTF120050	EUP0120220	EURE120220
1200	2200	600	EUTF120060	EUP0120220	EURE120220
1200	2200	800	EUTF120080	EUP0120220	EURE120220

1400			CODES FOR ASSEMBLED CABINET		
CABINET DIMENSIONS			CABINET WITH FRONT BLANK DOORS 700+700 + REAR PANEL	CABINET WITH FRONT BLANK DOORS 700+700 + REAR DOORS 700+700	
WIDTH	HEIGHT	DEPTH			
1400	2000	400	ENUX142004PR		ENUX142004DP
1400	2000	500	ENUX142005PR		ENUX142005DP
1400	2000	600	ENUX142006PR		ENUX142006DP
1400	2000	800	ENUX142008PR		ENUX142008DP

1400			CODES FOR FLAT-PACK CABINET		
CABINET DIMENSIONS			ROOF + BOTTOM	DOUBLE BLANK DOORS 700+700 + FRONT UPRIGHTS	REAR PANEL + REAR UPRIGHTS
WIDTH	HEIGHT	DEPTH			
1400	2000	400	EUTF140040	EUP0140200	EURE140200
1400	2000	500	EUTF140050	EUP0140200	EURE140200
1400	2000	600	EUTF140060	EUP0140200	EURE140200
1400	2000	800	EUTF140080	EUP0140200	EURE140200

1600			CODES FOR ASSEMBLED CABINET		
CABINET DIMENSIONS			CABINET WITH FRONT BLANK DOORS 800+800 + REAR PANEL	CABINET WITH FRONT BLANK DOORS 800+800 + REAR DOORS 800+800	
WIDTH	HEIGHT	DEPTH			
1600	1400	400	ENUX161404PR		ENUX161404DP
1600	1400	500	ENUX161405PR		ENUX161405DP
1600	2000	400	ENUX162004PR		ENUX162004DP
1600	2000	500	ENUX162005PR		ENUX162005DP
1600	2000	600	ENUX162006PR		ENUX162006DP
1600	2000	800	ENUX162008PR		ENUX162008DP

1600			CODES FOR FLAT-PACK CABINET		
CABINET DIMENSIONS			ROOF + BOTTOM	DOUBLE BLANK DOORS 800+800 + FRONT UPRIGHTS	REAR PANEL + REAR UPRIGHTS
WIDTH	HEIGHT	DEPTH			
1600	1400	400	EUTF160040	EUP0160140	EURE160140
1600	1400	500	EUTF160050	EUP0160140	EURE160140
1600	2000	400	EUTF160040	EUP0160200	EURE160200
1600	2000	500	EUTF160050	EUP0160200	EURE160200
1600	2000	600	EUTF160060	EUP0160200	EURE160200
1600	2000	800	EUTF160080	EUP0160200	EURE160200



Suite



RAL 7035



RAL 5020

CABLE ENTRY MODULE FRONT OPENING E NUX

To be used as an end or intermediate element in a suite of cabinets. Front and/or rear access.

CHARACTERISTICS

The profile used for uprights and crosspieces is unique, manufactured from high-strength low-alloy sheet steel, closed with continuous fiber laser welding and free of sharp edges. The frame corners are manufactured with orthogonal joints laser welded to vertical upright rails and horizontal rails for roof and bottom. Only 8 high resistance screws are necessary to mount the structure, while two position pins allow the easy mounting of the two parts of the joint.

PAINT FINISH

ETA standard finishing cycle: paint-based primer with deposition by cataphoresis with epoxy resin and finishing using thermosetting powders:



- structure: RAL 7035 smooth finish
- doors and rear panel: RAL 7035 textured finish
- roof: RAL 5020 textured finish.

ASSEMBLED E NUX MODULE

- structure manufactured from high-strength low-alloy sheet steel
- door manufactured from sheet steel with stiffening frame, complete with Ø 3mm lever-operated double bar locking system
- rear panel manufactured from sheet steel with rounded folding
- removable roof manufactured from sheet steel
- bottom manufactured from sheet steel.

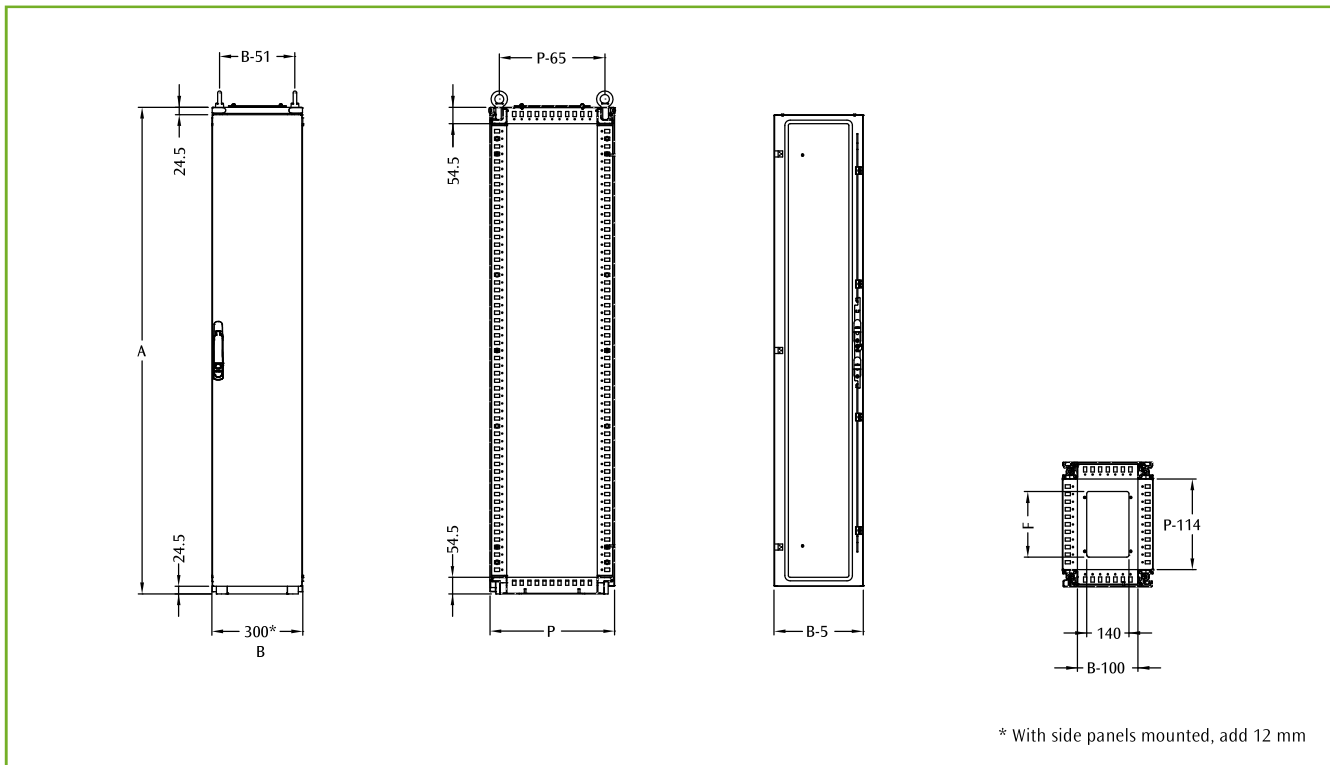
FLAT-PACK E NUX MODULE (ASSEMBLY WITH 8 SCREWS ONLY)

- composition to be assembled complying with customers requests
- panels and doors are supplied together with two vertical uprights complete with accessories.

PROTECTION RATING

- IP55 complying with IEC EN62208; EN60529
- NEMA 12 complying with UL508A; UL50
- protection degree guaranteed by the two-component polyurethane foam seal
- impact resistance IK10 complying with IEC EN62208; EN62262.

For further information, see the Technical section page 349.



DIMENSIONAL SPECIFICATIONS

WIDTH	DIMENSIONS			CABLE ENTRY MODULE DIMENSIONS		CABLE ENTRY
	HEIGHT	DEPTH		A	P	F
300	1600	400		1609	414	217
300	1600	500		1609	514	317
300	1600	600		1609	614	417
300	1800	400		1809	414	217
300	1800	500		1809	514	317
300	1800	600		1809	614	417
300	1800	800		1809	814	617
300	2000	400		2009	414	217
300	2000	500		2009	514	317
300	2000	600		2009	614	417
300	2000	800		2009	814	617
300	2200	500		2209	514	317
300	2200	600		2209	614	417
300	2200	800		2209	814	617

ASSEMBLED CABLE ENTRY MODULE

E NUX CODE	DIMENSIONS		
	WIDTH	HEIGHT	DEPTH
ENUX031604	300	1600	400
ENUX031605	300	1600	500
ENUX031606	300	1600	600
ENUX031804	300	1800	400
ENUX031805	300	1800	500
ENUX031806	300	1800	600
ENUX031808	300	1800	800
ENUX032004	300	2000	400
ENUX032005	300	2000	500
ENUX032006	300	2000	600
ENUX032008	300	2000	800
ENUX032205	300	2200	500
ENUX032206	300	2200	600
ENUX032208	300	2200	800

FLAT-PACK CABLE ENTRY MODULE

DIMENSIONS			ROOF	BLANK	REAR
WIDTH	HEIGHT	DEPTH	+ BOTTOM	DOOR	PANEL
300	1600	400	EUTF030040	EUPO030160	EURE030160
300	1600	500	EUTF030050	EUPO030160	EURE030160
300	1600	600	EUTF030060	EUPO030160	EURE030160
300	1800	400	EUTF030040	EUPO030180	EURE030180
300	1800	500	EUTF030050	EUPO030180	EURE030180
300	1800	600	EUTF030060	EUPO030180	EURE030180
300	1800	800	EUTF030080	EUPO030180	EURE030180
300	2000	400	EUTF030040	EUPO030200	EURE030200
300	2000	500	EUTF030050	EUPO030200	EURE030200
300	2000	600	EUTF030060	EUPO030200	EURE030200
300	2000	800	EUTF030080	EUPO030200	EURE030200
300	2200	500	EUTF030050	EUPO030220	EURE030220
300	2200	600	EUTF030060	EUPO030220	EURE030220
300	2200	800	EUTF030080	EUPO030220	EURE030220

Suite

CABLE ENTRY MODULE SIDE OPENING EURP

To be positioned at the end of a cabinet suite for protecting cable and connector systems. Lateral access.

CHARACTERISTICS/SUPPLY

- structure manufactured from press bent and welded sheet steel
- door manufactured from sheet steel with 110° door opening
- sealing gasket.

PAINT FINISH

ETA standard finishing cycle: paint-based primer with deposition by cataphoresis with epoxy resin and finishing using thermosetting powders. Colour: RAL 7035 textured finish.



PROTECTION RATING

IP55.



CABLE ENTRY MOD. SIDE OP. W=200

EURP CODE	MODULE DIMENSIONS		
	L	A	P
EURP021805	200	1809	514
EURP022006	200	2009	614

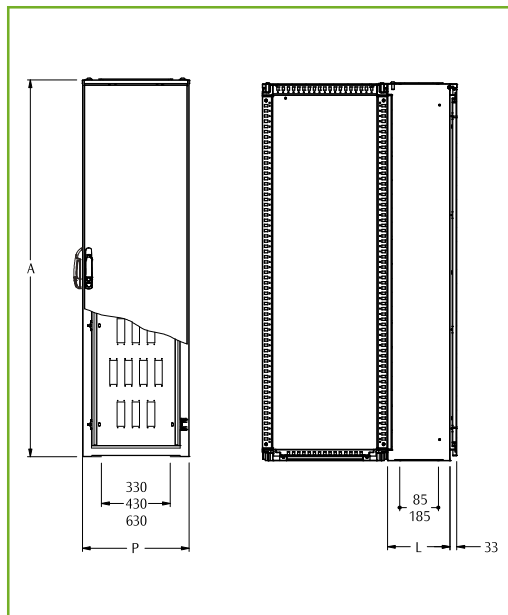
Please order the plinth in accordance with the total width of standard cabinet + cable entry module. I.e.: E NUX W 800 x D 500 + cable entry module W 200 x D 500 + plinth H=100 = EUZE-A100 + EUZE-T1000 + EUZE-T0500 (for plinth dimensions see page 62).

To be ordered separately: joining kit EUKU-007 for EURP with E NUX.

CABLE ENTRY MOD. SIDE OP. W=300

EURP CODE	MODULE DIMENSIONS		
	L	A	P
EURP031805	300	1809	514
EURP031806	300	1809	614
EURP031808	300	1809	814
EURP032005	300	2009	514
EURP032006	300	2009	614
EURP032008	300	2009	814

For E NUX plinth see page 62 (I.e. EUZE-A100 + EUZE-T0300 + EUZE-T0500).



INNER BLANK MOUNTING PLATE*

EUD3 CODE	MODULE DIMENSIONS	
	A	P
EUD3-050180	1809	514
EUD3-060180	1809	614
EUD3-080180	1809	814
EUD3-050200	2009	514
EUD3-060200	2009	614
EUD3-080200	2009	814

* Supply includes gasket for IP55.

INNER PUNCHED MOUNTING PLATE*

EUD4 CODE	MODULE DIMENSIONS		NO. OF HOLES
	A	P	
EUD4-050180	1809	514	28
EUD4-060180	1809	614	44
EUD4-080180	1809	814	60
EUD4-050200	2009	514	32
EUD4-060200	2009	614	50
EUD4-080200	2009	814	68

* Supply includes gasket for IP55.



Have you already selected your cabinets, in both assembled or flat-pack version?
Choose the accessories and complete your configuration!

MOUNTING PLATE

- Front-inserted mounting plate
- Side-inserted mounting plate
- Partial, supplementary, other plates



PAGE 49

DOORS, PANELS AND LOCKING SYSTEM

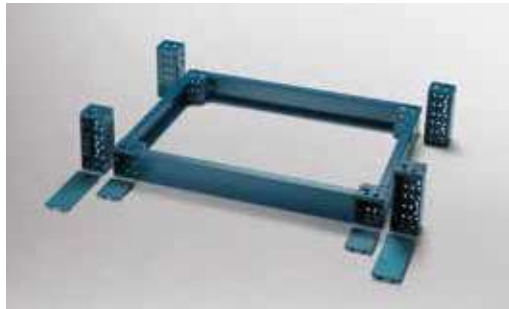
- Locking systems
- Plexi door
- Split doors
- Inner door
- Side panels



PAGE 55

PLINTH

- Modular plinth
- Watertight plinth
- Transportation or anti-vibration plinth



PAGE 62

SPECIAL SOLUTIONS

- Seismic design
- E NUX cabinet with IP>55



PAGE 66

COMPLEMENTARY ACCESSORIES

- Blank bottom
- Rain canopy
- Wheels and levelling feet
- Cable entry box
- Joining kit
- Lifting system
- Inner profiles
- Dividing plate
- Door-stop and door lock
- Corner cabinet or frame joining kit back to back
- Accessories for door
- Accessories for cable entry



PAGE 70



Do you need an accessory that is not available in our standard offer?
Our R&D Team is at your complete disposal to design together a new solution to meet your requirements!

Suite



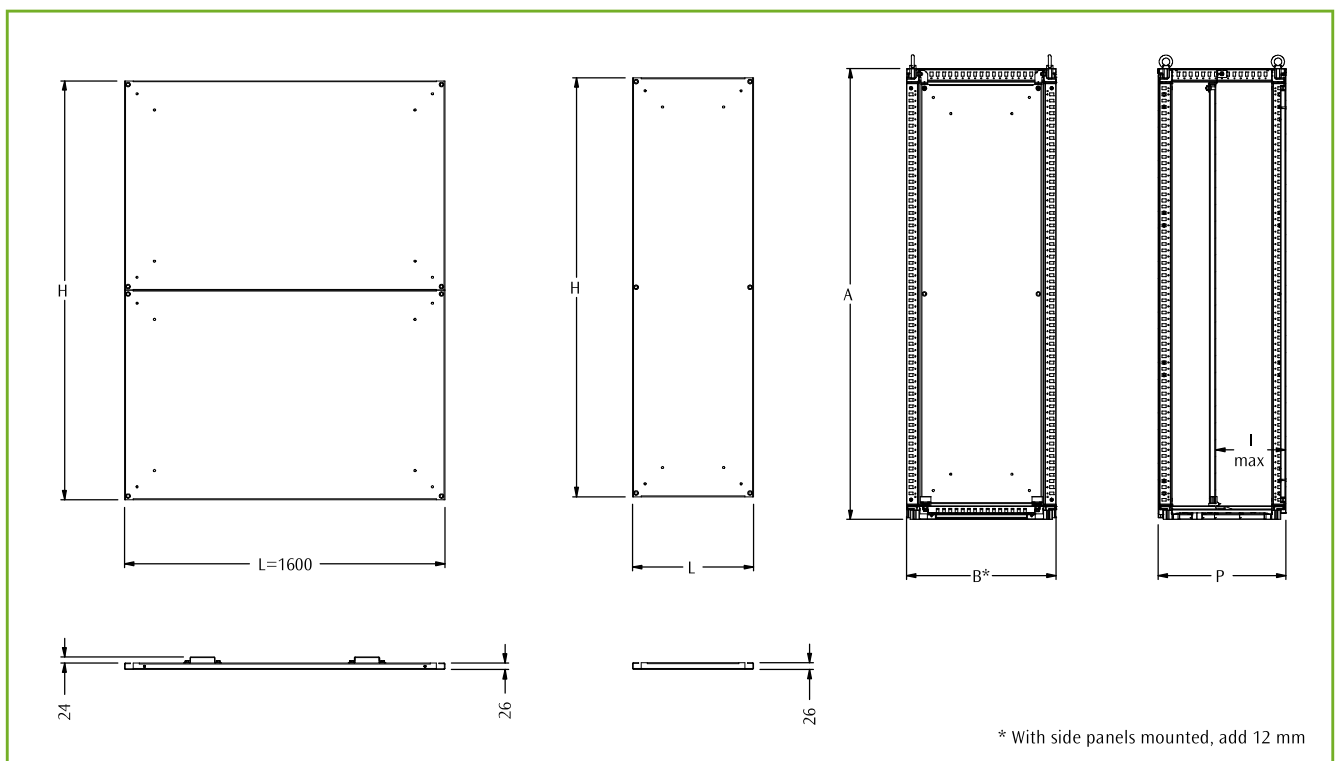
FRONT INSERTED MOUNTING PLATE EUPA

Manufactured from sendzimir sheet steel.



🔍 Mounting plate $W > 1400\text{mm}$ manufactured in two parts with horizontal union and stiffening omega-rings.

To be ordered separately: WTKB-002 mounting accessories for mounting plate.



* With side panels mounted, add 12 mm

MOUNTING PLATE WIDTH 400

EUPA CODE	CABINET DIMENSIONS			MOUNTING PLATE DIM.		
	B*	A	P	L	H	I (MAX)
EUPA-040160	400	1609	414	285	1480	350
EUPA-040160	400	1609	514	285	1480	450
EUPA-040160	400	1609	614	285	1480	550
EUPA-040180	400	1809	414	285	1680	350
EUPA-040180	400	1809	514	285	1680	450
EUPA-040180	400	1809	614	285	1680	550
EUPA-040180	400	1809	814	285	1680	750
EUPA-040200	400	2009	414	285	1880	350
EUPA-040200	400	2009	514	285	1880	450
EUPA-040200	400	2009	614	285	1880	550
EUPA-040200	400	2009	814	285	1880	750
EUPA-040220	400	2209	514	285	2080	450
EUPA-040220	400	2209	614	285	2080	550
EUPA-040220	400	2209	814	285	2080	750

MOUNTING PLATE WIDTH 1000

EUPA CODE	CABINET DIMENSIONS			MOUNTING PLATE DIM.		
	B*	A	P	L	H	I (MAX)
EUPA-100160	1000	1609	414	885	1480	350
EUPA-100160	1000	1609	514	885	1480	450
EUPA-100160	1000	1609	614	885	1480	550
EUPA-100180	1000	1809	414	885	1680	350
EUPA-100180	1000	1809	514	885	1680	450
EUPA-100180	1000	1809	614	885	1680	550
EUPA-100180	1000	1809	814	885	1680	750
EUPA-100200	1000	2009	414	885	1880	350
EUPA-100200	1000	2009	514	885	1880	450
EUPA-100200	1000	2009	614	885	1880	550
EUPA-100200	1000	2009	814	885	1880	750
EUPA-100220	1000	2209	514	885	2080	450
EUPA-100220	1000	2209	614	885	2080	550
EUPA-100220	1000	2209	814	885	2080	750

MOUNTING PLATE WIDTH 600

EUPA CODE	CABINET DIMENSIONS			MOUNTING PLATE DIM.		
	B*	A	P	L	H	I (MAX)
EUPA-060140	600	1409	414	485	1280	350
EUPA-060140	600	1409	514	485	1280	450
EUPA-060160	600	1609	414	485	1480	350
EUPA-060160	600	1609	514	485	1480	450
EUPA-060160	600	1609	614	485	1480	550
EUPA-060160	600	1609	814	485	1480	750
EUPA-060180	600	1809	414	485	1680	350
EUPA-060180	600	1809	514	485	1680	450
EUPA-060180	600	1809	614	485	1680	550
EUPA-060180	600	1809	814	485	1680	750
EUPA-060200	600	2009	414	485	1880	350
EUPA-060200	600	2009	514	485	1880	450
EUPA-060200	600	2009	614	485	1880	550
EUPA-060200	600	2009	814	485	1880	750
EUPA-060200	600	2009	1014	485	1880	950
EUPA-060220	600	2209	514	485	2080	450
EUPA-060220	600	2209	614	485	2080	550
EUPA-060220	600	2209	814	485	2080	750

MOUNTING PLATE WIDTH 1200

EUPA CODE	CABINET DIMENSIONS			MOUNTING PLATE DIM.		
	B*	A	P	L	H	I (MAX)
EUPA-120140	1200	1409	414	1085	1280	350
EUPA-120140	1200	1409	514	1085	1280	450
EUPA-120160	1200	1609	414	1085	1480	350
EUPA-120160	1200	1609	514	1085	1480	450
EUPA-120160	1200	1609	614	1085	1480	550
EUPA-120160	1200	1609	814	1085	1480	750
EUPA-120180	1200	1809	414	1085	1680	350
EUPA-120180	1200	1809	514	1085	1680	450
EUPA-120180	1200	1809	614	1085	1680	550
EUPA-120180	1200	1809	814	1085	1680	750
EUPA-120200	1200	2009	414	1085	1880	350
EUPA-120200	1200	2009	514	1085	1880	450
EUPA-120200	1200	2009	614	1085	1880	550
EUPA-120200	1200	2009	814	1085	1880	750
EUPA-120200	1200	2009	1014	1085	1880	950
EUPA-120220	1200	2209	514	1085	2080	450
EUPA-120220	1200	2209	614	1085	2080	550
EUPA-120220	1200	2209	814	1085	2080	750

Optional stiffening omega-rings WTOM-001200 to be ordered separately.

MOUNTING PLATE WIDTH 800

EUPA CODE	CABINET DIMENSIONS			MOUNTING PLATE DIM.		
	B*	A	P	L	H	I (MAX)
EUPA-080140	800	1409	414	685	1280	350
EUPA-080140	800	1409	514	685	1280	450
EUPA-080160	800	1609	414	685	1480	350
EUPA-080160	800	1609	514	685	1480	450
EUPA-080160	800	1609	614	685	1480	550
EUPA-080180	800	1809	414	685	1680	350
EUPA-080180	800	1809	514	685	1680	450
EUPA-080180	800	1809	614	685	1680	550
EUPA-080180	800	1809	814	685	1680	750
EUPA-080200	800	2009	414	685	1880	350
EUPA-080200	800	2009	514	685	1880	450
EUPA-080200	800	2009	614	685	1880	550
EUPA-080200	800	2009	814	685	1880	750
EUPA-080200	800	2009	1014	685	1880	950
EUPA-080220	800	2209	514	685	2080	450
EUPA-080220	800	2209	614	685	2080	550
EUPA-080220	800	2209	814	685	2080	750

MOUNTING PLATE WIDTH 1400

EUPA CODE	CABINET DIMENSIONS			MOUNTING PLATE DIM.		
	B*	A	P	L	H	I (MAX)
EUPA-140200	1400	2009	414	1285	1880	350
EUPA-140200	1400	2009	514	1285	1880	450
EUPA-140200	1400	2009	614	1285	1880	550
EUPA-140200	1400	2009	814	1285	1880	750

Optional stiffening omega-rings WTOM-001400 to be ordered separately.

MOUNTING PLATE WIDTH 1600

EUPA CODE	CABINET DIMENSIONS			MOUNTING PLATE DIM.		
	B*	A	P	L	H	I (MAX)
EUPA-160140	1600	1409	414	1485	1280	350
EUPA-160140	1600	1409	514	1485	1280	450
EUPA-160160	1600	1609	414	1485	1480	350
EUPA-160160	1600	1609	514	1485	1480	450
EUPA-160200	1600	2009	414	1485	1880	350
EUPA-160200	1600	2009	514	1485	1880	450
EUPA-160200	1600	2009	614	1485	1880	550
EUPA-160200	1600	2009	814	1485	1880	750



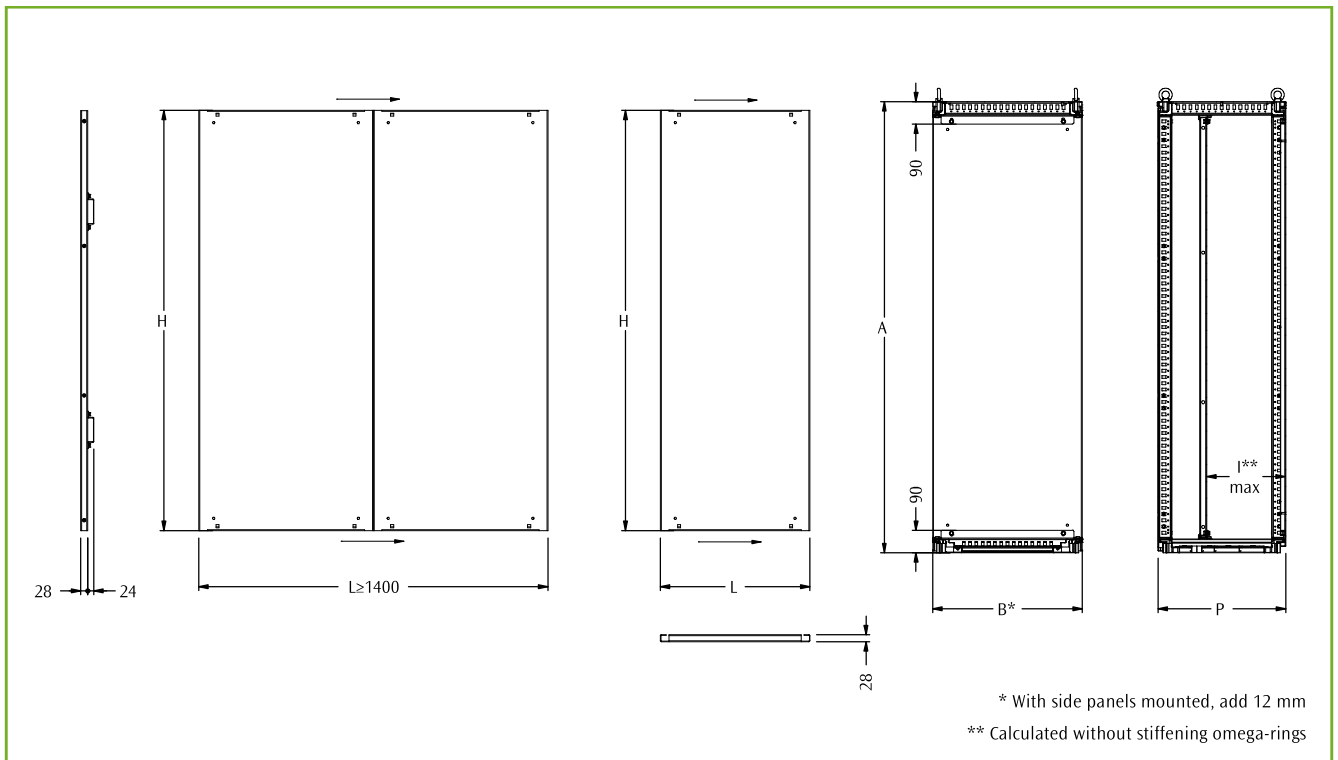
SIDE INSERTED MOUNTING PLATE EUPL

CHARACTERISTICS

Manufactured thick sendzimir sheet steel.

SUPPLY

Includes 1 piece with sliding guides and mounting accessories.



Mounting plate $L \geq 1400$ mm and $L=1600$ mm manufactured in two parts with vertical union and stiffening omega-rings. Max $L = 3$ m.

MOUNTING PLATE WIDTH 400

EUPL CODE	CABINET DIMENSIONS			MOUNTING PLATE DIM.		
	B*	A	P	L	H	I (MAX)
EUPL-040160	400	1609	414	400	1485	315
EUPL-040160	400	1609	514	400	1485	415
EUPL-040160	400	1609	614	400	1485	515
EUPL-040180	400	1809	414	400	1685	315
EUPL-040180	400	1809	514	400	1685	415
EUPL-040180	400	1809	614	400	1685	515
EUPL-040180	400	1809	814	400	1685	715
EUPL-040200	400	2009	414	400	1885	315
EUPL-040200	400	2009	514	400	1885	415
EUPL-040200	400	2009	614	400	1885	515
EUPL-040200	400	2009	814	400	1885	715
EUPL-040220	400	2209	514	400	2085	415
EUPL-040220	400	2209	614	400	2085	515
EUPL-040220	400	2209	814	400	2085	715

MOUNTING PLATE WIDTH 1000

EUPL CODE	CABINET DIMENSIONS			MOUNTING PLATE DIM.		
	B*	A	P	L	H	I (MAX)
EUPL-100160	1000	1609	414	1000	1485	315
EUPL-100160	1000	1609	514	1000	1485	415
EUPL-100160	1000	1609	614	1000	1485	515
EUPL-100180	1000	1809	414	1000	1685	315
EUPL-100180	1000	1809	514	1000	1685	415
EUPL-100180	1000	1809	614	1000	1685	515
EUPL-100180	1000	1809	814	1000	1685	715
EUPL-100200	1000	2009	414	1000	1885	315
EUPL-100200	1000	2009	514	1000	1885	415
EUPL-100200	1000	2009	614	1000	1885	515
EUPL-100200	1000	2009	814	1000	1885	715
EUPL-100220	1000	2209	514	1000	2085	415
EUPL-100220	1000	2209	614	1000	2085	515
EUPL-100220	1000	2209	814	1000	2085	715

MOUNTING PLATE WIDTH 600

EUPL CODE	CABINET DIMENSIONS			MOUNTING PLATE DIM.		
	B*	A	P	L	H	I (MAX)
EUPL-060140	600	1409	414	600	1285	315
EUPL-060140	600	1409	514	600	1285	415
EUPL-060160	600	1609	414	600	1485	315
EUPL-060160	600	1609	514	600	1485	415
EUPL-060160	600	1609	614	600	1485	515
EUPL-060160	600	1609	814	600	1485	715
EUPL-060180	600	1809	414	600	1685	315
EUPL-060180	600	1809	514	600	1685	415
EUPL-060180	600	1809	614	600	1685	515
EUPL-060180	600	1809	814	600	1685	715
EUPL-060200	600	2009	414	600	1885	315
EUPL-060200	600	2009	514	600	1885	415
EUPL-060200	600	2009	614	600	1885	515
EUPL-060200	600	2009	814	600	1885	715
EUPL-060200	600	2009	1014	600	1885	915
EUPL-060220	600	2209	514	600	2085	415
EUPL-060220	600	2209	614	600	2085	515
EUPL-060220	600	2209	814	600	2085	715

MOUNTING PLATE WIDTH 1200

EUPL CODE	CABINET DIMENSIONS			MOUNTING PLATE DIM.		
	B*	A	P	L	H	I (MAX)
EUPL-120140	1200	1409	414	1200	1285	315
EUPL-120140	1200	1409	514	1200	1285	415
EUPL-120160	1200	1609	414	1200	1485	315
EUPL-120160	1200	1609	514	1200	1485	415
EUPL-120160	1200	1609	614	1200	1485	515
EUPL-120160	1200	1609	814	1200	1485	715
EUPL-120180	1200	1809	414	1200	1685	315
EUPL-120180	1200	1809	514	1200	1685	415
EUPL-120180	1200	1809	614	1200	1685	515
EUPL-120180	1200	1809	814	1200	1685	715
EUPL-120200	1200	2009	414	1200	1885	315
EUPL-120200	1200	2009	514	1200	1885	415
EUPL-120200	1200	2009	614	1200	1885	515
EUPL-120200	1200	2009	814	1200	1885	715
EUPL-120200	1200	2009	1014	1200	1885	915
EUPL-120220	1200	2209	514	1200	2085	415
EUPL-120220	1200	2209	614	1200	2085	515
EUPL-120220	1200	2209	814	1200	2085	715

MOUNTING PLATE WIDTH 800

EUPL CODE	CABINET DIMENSIONS			MOUNTING PLATE DIM.		
	B*	A	P	L	H	I (MAX)
EUPL-080140	800	1409	414	800	1285	315
EUPL-080140	800	1409	514	800	1285	415
EUPL-080160	800	1609	414	800	1485	315
EUPL-080160	800	1609	514	800	1485	415
EUPL-080160	800	1609	614	800	1485	515
EUPL-080180	800	1809	414	800	1685	315
EUPL-080180	800	1809	514	800	1685	415
EUPL-080180	800	1809	614	800	1685	515
EUPL-080180	800	1809	814	800	1685	715
EUPL-080200	800	2009	414	800	1885	315
EUPL-080200	800	2009	514	800	1885	415
EUPL-080200	800	2009	614	800	1885	515
EUPL-080200	800	2009	814	800	1885	715
EUPL-080200	800	2009	1014	800	1885	915
EUPL-080220	800	2209	514	800	2085	415
EUPL-080220	800	2209	614	800	2085	515
EUPL-080220	800	2209	814	800	2085	715

MOUNTING PLATE WIDTH 1400

EUPL CODE	CABINET DIMENSIONS			MOUNTING PLATE DIM.		
	B*	A	P	L	H	I (MAX)
EUPL-140200	1400	2009	414	1400	1885	315
EUPL-140200	1400	2009	514	1400	1885	415
EUPL-140200	1400	2009	614	1400	1885	515
EUPL-140200	1400	2009	814	1400	1885	715

MOUNTING PLATE WIDTH 1600

EUPL CODE	CABINET DIMENSIONS			MOUNTING PLATE DIM.		
	B*	A	P	L	H	I (MAX)
EUPL-160140	1600	1409	414	1600	1285	315
EUPL-160140	1600	1409	514	1600	1285	415
EUPL-160200	1600	2009	414	1600	1885	315
EUPL-160200	1600	2009	514	1600	1885	415
EUPL-160200	1600	2009	614	1600	1885	515
EUPL-160200	1600	2009	814	1600	1885	715

PARTIAL MOUNTING PLATES

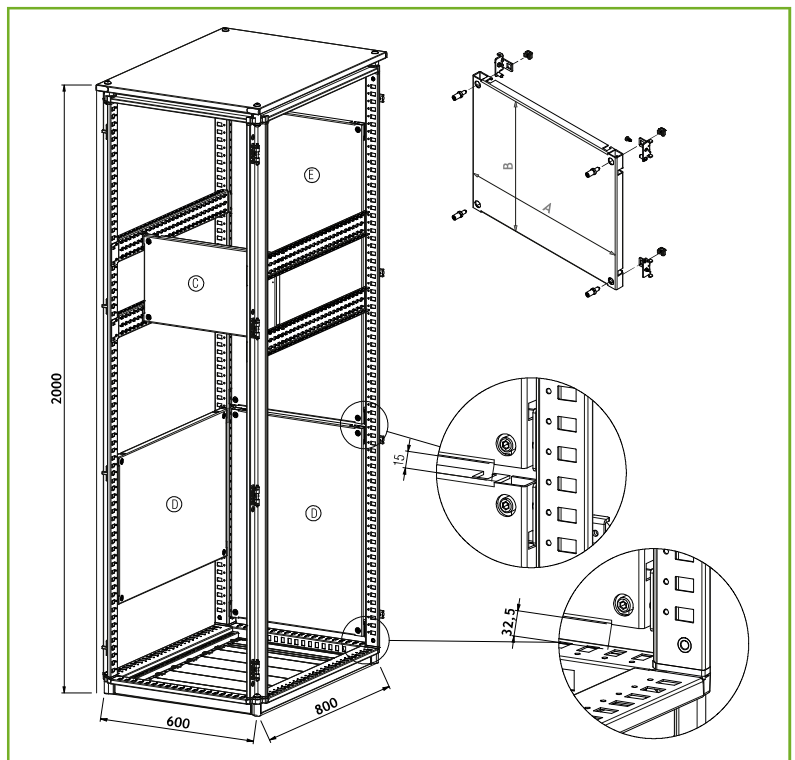
Suite

Partial mounting plate manufactured from sendzimir sheet steel. Designed to allow an easy mounting in different positions (i.e. C, D, E) by using a universal mounting kit and optimizing the empty space between two plates in order to guarantee continuity in cable wiring.



PARTIAL MOUNTING PLATES EUPZ

EUPZ CODE	DIMENSIONS		PLATE DIMENSIONS	
			A	B
EUPZ-040040	400	400	285	285
EUPZ-040050	400	500	285	385
EUPZ-040060	400	600	285	485
EUPZ-040070	400	700	285	585
EUPZ-040080	400	800	285	685
EUPZ-040090	400	900	285	785
EUPZ-040100	400	1000	285	885
EUPZ-040110	400	1100	285	985
EUPZ-040120	400	1200	285	1085
EUPZ-060050	600	500	485	385
EUPZ-060060	600	600	485	485
EUPZ-060070	600	700	485	585
EUPZ-060080	600	800	485	685
EUPZ-060090	600	900	485	785
EUPZ-060100	600	1000	485	885
EUPZ-060110	600	1100	485	985
EUPZ-060120	600	1200	485	1085
EUPZ-080050	800	500	685	385
EUPZ-080070	800	700	685	585
EUPZ-080080	800	800	685	685
EUPZ-080090	800	900	685	785
EUPZ-080100	800	1000	685	885
EUPZ-080110	800	1100	685	985
EUPZ-080120	800	1200	685	1085
EUPZ-100050	1000	500	885	385
EUPZ-100070	1000	700	885	585
EUPZ-100090	1000	900	885	785
EUPZ-100100	1000	1000	885	885
EUPZ-100110	1000	1100	885	985
EUPZ-100120	1000	1200	885	1085
EUPZ-120050	1200	500	1085	385
EUPZ-120070	1200	700	1085	585
EUPZ-120090	1200	900	1085	785
EUPZ-120110	1200	1100	1085	985
EUPZ-120120	1200	1200	1085	1085



Mounting kit WTKC-001 to be ordered separately (universal mounting kit for all installations)

For partial mounting plate assembled in depth (see C), nr. 4 fast-fixing profile WTPR-075...RS to be ordered separately.

FAST-FIXING BRACKET

WTPR CODE	CABINET DEPTH
WTPR-075040RS	400
WTPR-075050RS	500
WTPR-075060RS	600
WTPR-075080RS	800

HOW TO ORDER

I.e. E NUX cabinet dim. 600x2000x800 with front blank door and rear panel (ENUX062008PR) and partial mounting plates

EUPZ partial mounting plate dim. 600x500, assembly C

Nr. 1 EUPZ-060050

Nr. 1 WTKC-001

Nr. 4 WTPR-075080RS

EUPZ partial mounting plate dim. 600x800, assembly D / E

Nr. 1 EUPZ-060080

Nr. 1 WTKC-001




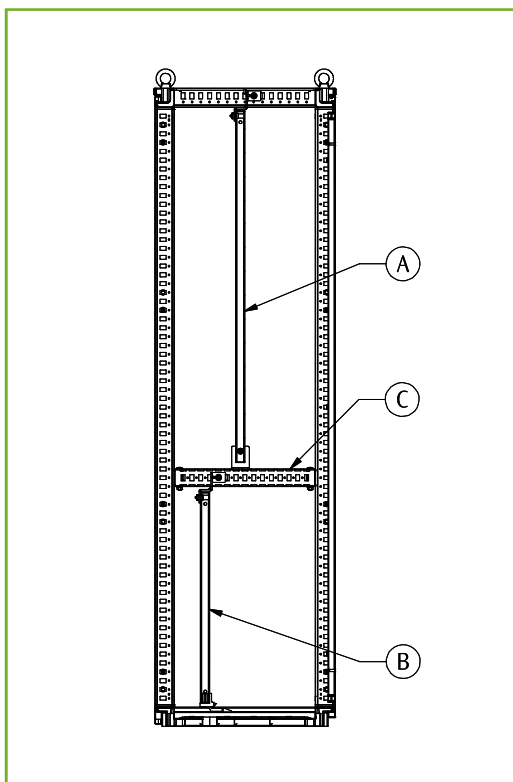
PARTIAL MOUNTING PLATE EUPR

Partial mounting plates can be manufactured upon request. Manufactured from sendzimir sheet steel.

Mounting kit pos. A

Mounting kit pos. B.

 To be ordered separately: WTPR rails H=50 mm (C) and brackets WTSF-001 (see page 74).



PARTIAL MOUNTING PLATE

EUPR CODE	MOUNTING PLATE DIMENSIONS	
	L	H
EUPR-060060	485	600
EUPR-060080	485	800
EUPR-060120	485	1200
EUPR-080060	685	600
EUPR-080080	685	800
EUPR-080120	685	1200

WTKA-001

Mounting kit pos. A.



WTKB-002

Mounting kit pos. B.





SUPPORTING BRACKETS WTSC-001

Central support brackets for mounting plates.

SUPPLY

Includes 2 pieces with mounting accessories.

Fixing rails H=50 (see page 74) to be ordered separately. Available on request.

MOUNTING PLATE ASSEMBLY BRACKETS WTSC-002

Kit used to fix the mounting plate in the rearmost position, with central fixing. Supply complete with brackets and screws required for fixing.

Available on request.



INTERMEDIATE MOUNTING PLATE EUPN

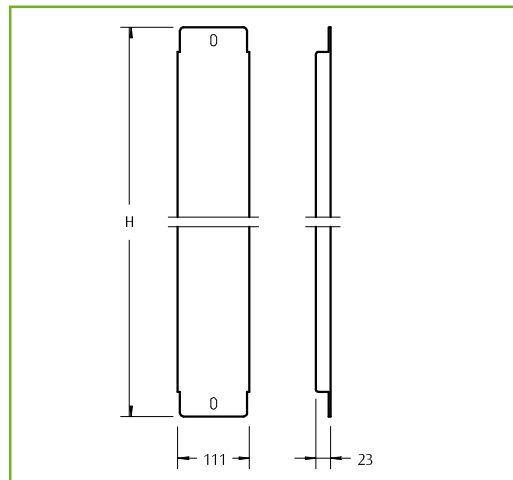
To give continuity to mounting plates between two cabinets mounted in a suite.

CHARACTERISTICS

Manufactured from press bent sendzimir sheet steel.

SUPPLY

Includes 1 piece with mounting accessories.



INTERMEDIATE MOUNTING PLATE

EUPN CODE	CABINET HEIGHT	H
EUPN-001400	1400	1286
EUPN-001600	1600	1486
EUPN-001800	1800	1686
EUPN-002000	2000	1886
EUPN-002200	2200	2086

SUPPLEMENTARY MOUNTING PLATE EUPS

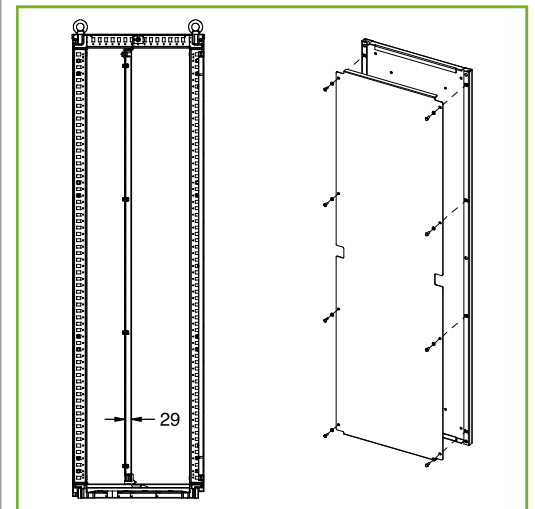
Applied on the rear part of a mounting plate to obtain a supplementary mounting plate.

CHARACTERISTICS

Manufactured from sendzimir sheet steel.

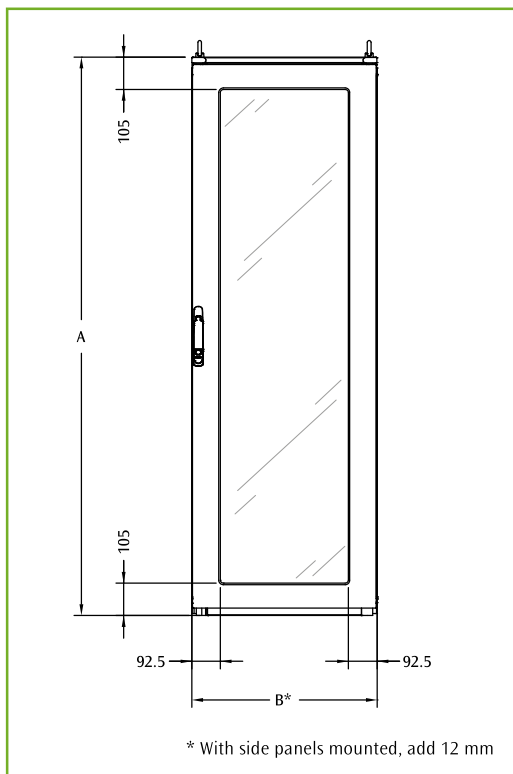
SUPPLY

Includes 1 piece with mounting accessories.



SUPPLEMENTARY MOUNTING PLATE

EUPS CODE	CABINET DIM.		M. PLATE DIM.	
	B	A	L	H
EUPS-040160	400	1609	280	1435
EUPS-040180	400	1809	280	1635
EUPS-040200	400	2009	280	1835
EUPS-040220	400	2209	280	2035
EUPS-060140	600	1409	480	1235
EUPS-060160	600	1609	480	1435
EUPS-060180	600	1809	480	1635
EUPS-060200	600	2009	480	1835
EUPS-060220	600	2209	480	2035
EUPS-080140	800	1409	680	1235
EUPS-080160	800	1609	680	1435
EUPS-080180	800	1809	680	1635
EUPS-080200	800	2009	680	1835
EUPS-080220	800	2209	680	2035
EUPS-100160	1000	1609	880	1435
EUPS-100180	1000	1809	880	1635
EUPS-100200	1000	2009	880	1835
EUPS-100220	1000	2209	880	2035



PLEXI DOOR EUPV

CHARACTERISTICS

Manufactured from sheet steel with viewing window, tubular stiffening frame and clear Plexiglas.

PAINT FINISH

ETA standard finishing cycle: paint-based primer with deposition by cataphoresis with epoxy resin and finishing using thermosetting powders. Colour: RAL 7035 textured finish.



SUPPLY

- two upright rails complete with accessories
- door complete with sealing gasket, tubular stiffening frame and Ø 3 mm lever-operated double bar locking system.

PROTECTION RATING

- IP55 complying with IEC EN62208; EN60529
- NEMA 12 complying with UL508A; UL50
- impact resistance IK10 complying with IEC EN62208; EN62262.

Suite

PLEXI DOOR

EUPV CODE	CABINET DIMENSIONS	
	B*	A
EUPV060140	600	1409
EUPV060160	600	1609
EUPV060180	600	1809
EUPV060200	600	2009
EUPV060220	600	2209
EUPV080140	800	1409
EUPV080160	800	1609
EUPV080180	800	1809
EUPV080200	800	2009
EUPV080220	800	2209
EUPV100160	1000	1609
EUPV100180	1000	1809
EUPV100200	1000	2009
EUPV100220	1000	2209

- E NUX cabinet with plexi door available in:
- Assembled version: see page 36, 37, 38 to choose the part numbers E NUX...PV
 - Flat-pack version: see above to choose the part numbers of the plexi door EUPV (provided with front uprights) and see page 36, 37, 38 to complete the cabinet with EUTF (top + bottom) and EURE (rear panel + rear uprights).

Glazed door available on request.



Suite



SPLIT VERTICAL DOORS EUPO

CHARACTERISTICS

Door manufactured from press bent sheet steel material.

PAINT FINISH

ETA standard finishing cycle: paint-based primer with deposition by cataphoresis with epoxy resin and finishing using thermosetting powders. Colour: RAL 7035 textured finish.



SUPPLY

Single blank door that can be supplied in split version (e.g. L=800 supplied in double version: door stopped 400 mm + door with stop device 400 mm) or double blank doors that can be supplied with different sizes (e.g. L=1200 usually supplied 600+600 can be proposed with door stopped 800 mm + door with stop device 400 mm, or other combination).

PROTECTION RATING

- IP55 complying with EN62208; EN60529
- NEMA 12 complying with UL508A; UL50
- impact resistance IK10 complying with EN62208; EN62262.

Available on request.

Available on request split vertical doors with door stop for Dis-connector (see page 77).



DOOR STOP WTFP

Allows the mechanical stop of the door preventing the accidental closing. This equipment is compatible with the 180° rack structure mounted in the most forward position and the E NUX plexi/glazed doors too.

CHARACTERISTICS

Manufactured from zincpassivated sheet steel.

SUPPLY

Includes 1 piece with accessories.

DOOR STOP

WTFP CODE	OPENING
WTFP-001	90°
WTFP-002	135°
WTFP-010	90° (for door 400+400)
WTFP-011	170°



INNER DOOR EUPI

CHARACTERISTICS

Manufactured in sheet steel accompanied by uprights and horizontal cross-members, depth-adjustable with 25 mm pitch.

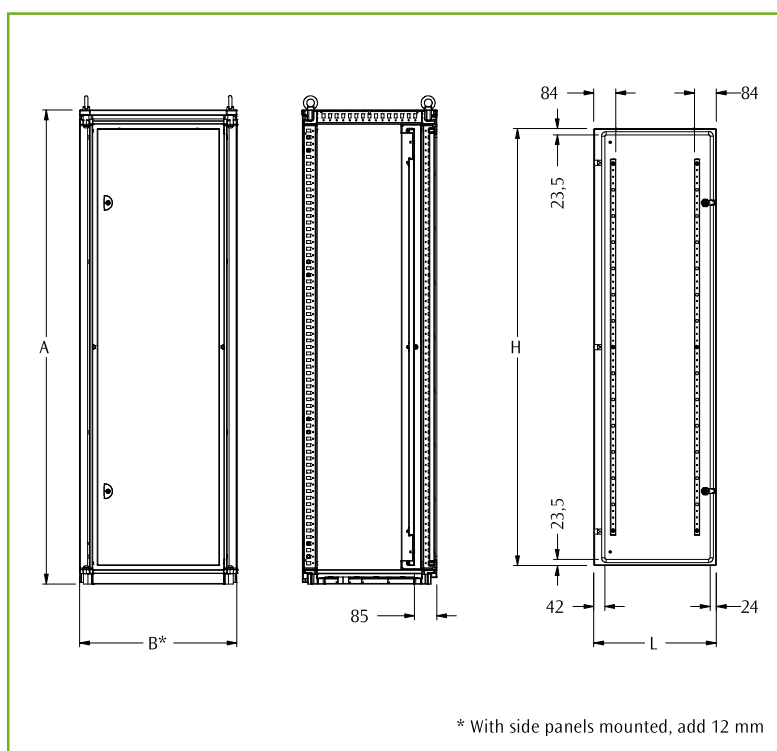
PAINT FINISH

ETA standard finishing cycle: paint-based primer with deposition by cataphoresis with epoxy resin and finishing using thermosetting powders. Colour: RAL 7035 textured finish.



SUPPLY

- door complete with Ø 3 mm double bar locking system and hinges
- vertical uprights and horizontal rails
- mounting accessories.



INNER DOOR

EUPI CODE	CABINET DIMENSIONS		INNER DOOR DIM.	
	B*	A	L	H
EUPI060140	600	1409	467	1267
EUPI060160	600	1609	467	1467
EUPI060180	600	1809	467	1667
EUPI060200	600	2009	467	1867
EUPI060220	600	2209	467	2067
EUPI080140	800	1409	667	1267
EUPI080160	800	1609	667	1467
EUPI080180	800	1809	667	1667
EUPI080200	800	2009	667	1867
EUPI080220	800	2209	667	2067
EUPI100160	1000	1609	867	1467
EUPI100180	1000	1809	867	1667
EUPI100200	1000	2009	867	1867
EUPI100220	1000	2209	867	2067

PROFILES FOR INNER DOOR**

WTPP CODE	CABINET HEIGHT
WTPP-001400	1400
WTPP-001600	1600
WTPP-001800	1800
WTPP-002000	2000
WTPP-002200	2200

** Available on request: profiles for inner door (supply includes 2 pieces).



LATERAL DOOR EUPF

CHARACTERISTICS

Manufactured from sheet steel.

PAINT FINISH

ETA standard finishing cycle: paint-based primer with deposition by cataphoresis with epoxy resin and finishing using thermosetting powders. Colour: RAL 7035 textured finish.



SUPPLY

- door complete with sealing gasket, Ø 3 mm lever operated double bar locking system
- 4 hinges
- mounting accessories.



SIDE PANELS EUFI

CHARACTERISTICS

Manufactured from press-bent sheet steel with rounded folding.

PAINT FINISH

ETA standard finishing cycle: paint-based primer with deposition by cataphoresis with epoxy resin and finishing using thermosetting powders. Colour: RAL 7035 textured finish.



SUPPLY

- two side panels
- rapid fastening couplers
- mounting accessories.

To order a pair of side panels for mounting on hinge side 180°, you have to add the suffix "C" to the code (i.e.: EUFI040140C).

LATERAL DOOR		
EUPF CODE	DIMENSIONS	
	HEIGHT	DEPTH
EUPF040140	1400	400
EUPF050140	1400	500
EUPF060140	1400	600
EUPF040160	1600	400
EUPF050160	1600	500
EUPF060160	1600	600
EUPF040180	1800	400
EUPF050180	1800	500
EUPF060180	1800	600
EUPF080180	1800	800
EUPF040200	2000	400
EUPF050200	2000	500
EUPF060200	2000	600
EUPF080200	2000	800
EUPF050220	2200	500
EUPF060220	2200	600
EUPF080220	2200	800

SIDE PANELS		
EUFI CODE	DIMENSIONS	
	HEIGHT	DEPTH
EUFI040140	1400	400
EUFI050140	1400	500
EUFI040160	1600	400
EUFI050160	1600	500
EUFI060160	1600	600
EUFI040180	1800	400
EUFI050180	1800	500
EUFI060180	1800	600
EUFI080180	1800	800
EUFI040200	2000	400
EUFI050200	2000	500
EUFI060200	2000	600
EUFI080200	2000	800
EUFI100200	2000	1000
EUFI050220	2200	500
EUFI060220	2200	600
EUFI080220	2200	800

LOCKING SYSTEMS - NEW EASY LOCK CONCEPT

The project, which arises from the conception and realisation of a new stronger and more resistant handle, has been developed up to the complete revision of the locking system, thus guaranteeing easier and more agile use.

Available as standard on all sheet steel or stainless steel ETA cabinets, in the lever or fixed versions.

FUNCTIONALITY

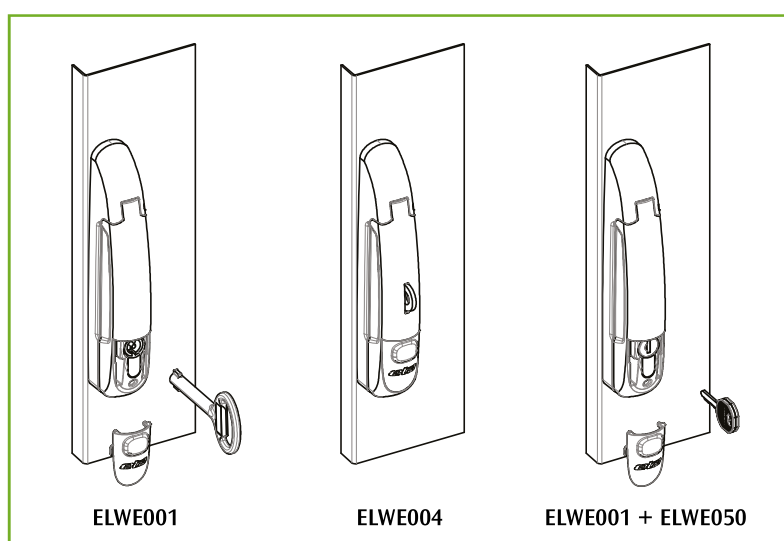
User-friendliness of the control cabinet, easy assembly/disassembly of components, new cremone bolts, wide range of inserts available.

RELIABILITY

New construction concept and exclusive finishing.



Suite



INSERTS FOR "EASY LOCK" HANDLE

PRODUCT CODE	ARTICLE TYPE	DESCRIPTION
ELWE050	INSERT + KEY	HALF CYLINDER PROFILE 333 (WITH KEY)
ELWE051	INSERT + KEY	INSERT WITH KEY R455
ELWE052	INSERT + KEY	INSERT WITH KEY R405
ELWE053	INSERT	WITH 3 MM DOUBLE-BIT
ELWE054	KEY	WITH 3 MM DOUBLE-BIT
ELWE055	INSERT	WITH 5 MM DOUBLE-BIT
ELWE056	KEY	WITH 5 MM DOUBLE-BIT
ELWE057	INSERT	7 MM SQUARE
ELWE058	KEY	7 MM SQUARE
ELWE059	INSERT	7 MM TRIANGULAR
ELWE060	KEY	7 MM TRIANGULAR
ELWE061	INSERT	8 MM TRIANGULAR
ELWE062	KEY	8 MM TRIANGULAR
ELWE063	INSERT	FIAT
ELWE064	KEY	FIAT
ELWE065	INSERT	BUTTON VERSION



VIDEO TUTORIAL



“EASY LOCK” HANDLE

PRODUCT CODE	ARTICLE TYPE	FEATURES	COLOUR AND FINISH	CENTRAL ROD TECHNICAL SPECIFICAT.	ETA LOGO	STANDARD APPLICATION
ELWE001	LEVER-OPERATED HANDLE	BODY AND CYLINDER-COVER IN POLYAMIDE, LEVER IN ZAMAK DOUBLE-BIT INSERT Ø 3 MM. SUPPLY COMPLETE WITH: HANDLE, INSERT, ROD, CAPS		GALVANISED ROD		E NUX / E MOX / E NUX EMC Sheet steel RAL7035
ELWE002	LEVER-OPERATED HANDLE	BODY AND CYLINDER-COVER IN POLYAMIDE, LEVER IN ZAMAK DOUBLE-BIT INSERT Ø 3 MM. SUPPLY COMPLETE WITH: HANDLE, INSERT, ROD, CAPS		GALVANISED ROD		E NUX / E MOX / E NUX EMC Sheet steel special RAL
ELWE003	LEVER-OPERATED HANDLE	BODY AND CYLINDER-COVER IN POLYAMIDE, LEVER IN ZAMAK DOUBLE-BIT INSERT Ø 3 MM. SUPPLY COMPLETE WITH: HANDLE, INSERT, STAINLESS STEEL ROD, CAPS		STAINLESS STEEL ROD		E NUX / E MOX / E COMP Stainless Steel
ELWE004	PADLOCKABLE LEVER-OPERATED HANDLE	BODY AND CYLINDER-COVER IN POLYAMIDE, LEVER IN ZAMAK DOUBLE-BIT INSERT Ø 3 MM. SUPPLY COMPLETE WITH: HANDLE, INSERT, ROD, CAPS		GALVANISED ROD		E NUX / E MOX / E NUX EMC Sheet steel RAL7035
ELWE005	PADLOCKABLE LEVER-OPERATED HANDLE	BODY AND CYLINDER-COVER IN POLYAMIDE, LEVER IN ZAMAK DOUBLE-BIT INSERT Ø 3 MM. SUPPLY COMPLETE WITH: HANDLE, INSERT, ROD, CAPS		GALVANISED ROD		E NUX / E MOX / E NUX EMC Sheet steel special RAL
ELWE006	PADLOCKABLE LEVER-OPERATED HANDLE	BODY AND CYLINDER-COVER IN POLYAMIDE, LEVER IN ZAMAK DOUBLE-BIT INSERT Ø 3 MM. SUPPLY COMPLETE WITH: HANDLE, INSERT, STAINLESS STEEL ROD, CAPS		STAINLESS STEEL ROD		E NUX / E MOX / E COMP Stainless Steel
ELWE007	LEVER-OPERATED HANDLE	BODY AND CYLINDER-COVER IN POLYAMIDE, LEVER IN ZAMAK DOUBLE-BIT INSERT Ø 3 MM. SUPPLY COMPLETE WITH: HANDLE, INSERT, ROD, CAPS		GALVANISED ROD		E NUX / E MOX / E NUX EMC Sheet steel RAL7035
ELWE008	LEVER-OPERATED HANDLE	BODY AND CYLINDER-COVER IN POLYAMIDE, LEVER IN ZAMAK DOUBLE-BIT INSERT Ø 3 MM. SUPPLY COMPLETE WITH: HANDLE, INSERT, ROD, CAPS		GALVANISED ROD		E NUX / E MOX / E NUX EMC Sheet steel special RAL
ELWE009	LEVER-OPERATED HANDLE	BODY AND CYLINDER-COVER IN POLYAMIDE, LEVER IN ZAMAK DOUBLE-BIT INSERT Ø 3 MM. SUPPLY COMPLETE WITH: HANDLE, INSERT, STAINLESS STEEL ROD, CAPS		STAINLESS STEEL ROD		E NUX / E MOX / E COMP Stainless Steel

PRODUCT CODE	ARTICLE TYPE	FEATURES	COLOUR AND FINISH	CENTRAL ROD TECHNICAL SPECIFICAT.	ETA LOGO	STANDARD APPLICATION
ELWE010	PADLOCKABLE LEVER-OPERATED HANDLE	BODY AND CYLINDER-COVER IN POLYAMIDE, LEVER IN ZAMAK DOUBLE-BIT INSERT Ø 3 MM. SUPPLY COMPLETE WITH: HANDLE, INSERT, ROD, CAPS		GALVANISED ROD		E NUX / E MOX / E NUX EMC Sheet steel RAL7035
ELWE011	PADLOCKABLE LEVER-OPERATED HANDLE	BODY AND CYLINDER-COVER IN POLYAMIDE, LEVER IN ZAMAK DOUBLE-BIT INSERT Ø 3 MM. SUPPLY COMPLETE WITH: HANDLE, INSERT, ROD, CAPS		GALVANISED ROD		E NUX / E MOX / E NUX EMC Sheet steel special RAL
ELWE012	PADLOCKABLE LEVER-OPERATED HANDLE	BODY AND CYLINDER-COVER IN POLYAMIDE, LEVER IN ZAMAK DOUBLE-BIT INSERT Ø 3 MM. SUPPLY COMPLETE WITH: HANDLE, INSERT, STAINLESS STEEL ROD, CAPS		STAINLESS STEEL ROD		E NUX / E MOX / E COMP Stainless Steel
ELWE013	FIXED HANDLE	POLYAMIDE COVER. DOUBLE-BIT INSERT Ø 3 MM. SUPPLY COMPLETE WITH: HANDLE, INSERT, ROD, CENTRAL BLOCK FOR DOOR WITH HINGES ON THE RH		GALVANISED ROD	●	E COMP Sheet steel RAL7035
ELWE014	FIXED HANDLE	POLYAMIDE COVER. DOUBLE-BIT INSERT Ø 3 MM. SUPPLY COMPLETE WITH: HANDLE, INSERT, ROD, CENTRAL BLOCK FOR DOOR WITH HINGES ON THE RH		GALVANISED ROD	●	E COMP Sheet steel RAL spc
ELWE015	FIXED HANDLE	POLYAMIDE COVER. DOUBLE-BIT INSERT Ø 3 MM. SUPPLY COMPLETE WITH: HANDLE, INSERT, ROD, CENTRAL BLOCK FOR DOOR WITH HINGES ON THE LH		GALVANISED ROD	●	E COMP Sheet steel RAL7035
ELWE016	FIXED HANDLE	POLYAMIDE COVER. DOUBLE-BIT INSERT Ø 3 MM. SUPPLY COMPLETE WITH: HANDLE, INSERT, ROD, CENTRAL BLOCK FOR DOOR WITH HINGES ON THE LH		GALVANISED ROD	●	E COMP Sheet steel RAL spc
ELWE066	LEVER-OPERATED HANDLE	BODY AND CYLINDER-COVER IN POLYAMIDE, LEVER IN ZAMAK KEY 333. SUPPLY COMPLETE WITH: HANDLE, INSERT, STAINLESS STEEL ROD, CAPS		STAINLESS STEEL ROD	●	E VIS and special cabinets (e.g. for C4)

MODULAR PLINTH EUZE

CHARACTERISTICS

Corner pieces manufactured from press bent sheet steel, with PVC front covers. Front and side cross-pieces manufactured from press bent sheet steel.

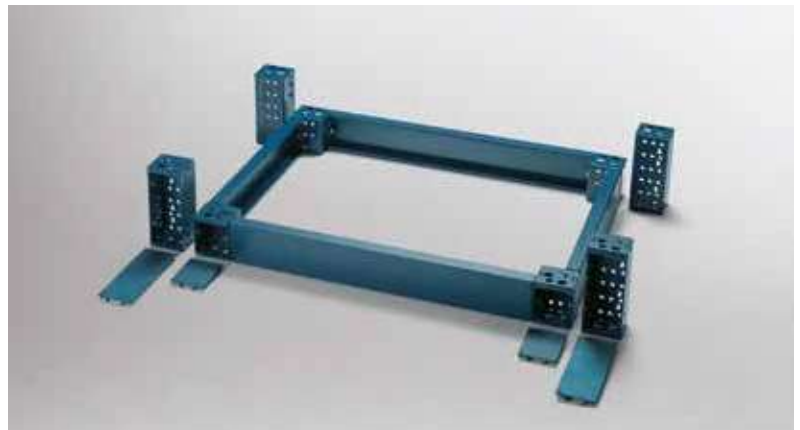
PAINT FINISH

ETA standard finishing cycle: paint-based primer with deposition by cataphoresis with epoxy resin and finishing using thermosetting powders. Colour: RAL 5020 textured finish.



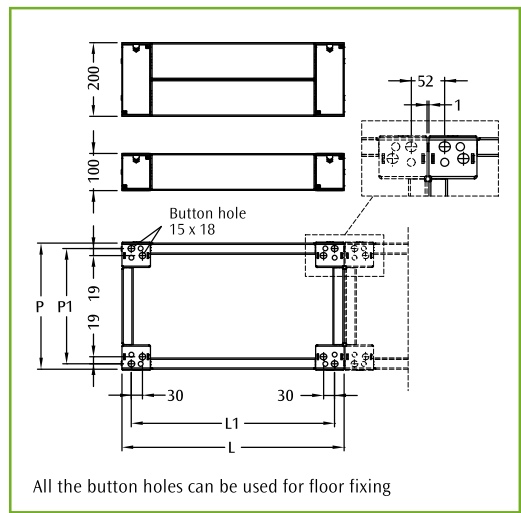
SUPPLY

- The modular plinth is made up of:
- corner pieces: supply includes 4 pieces complete with front covers and mounting hardware
 - front crosspieces: supply includes 2 pieces
 - side crosspieces: supply includes 2 pieces.



DIMENSIONAL SPECIFICATIONS

CABINET DIM.		PLINTH DIM.		CENT. DISTANCES	
L	P	L	P	L1	P1
300	400	300	378	249	349
300	500	300	478	249	449
300	600	300	578	249	549
300	800	300	778	249	749
400	400	400	378	349	349
400	500	400	478	349	449
400	600	400	578	349	549
400	800	400	778	349	749
600	400	600	378	549	349
600	500	600	478	549	449
600	600	600	578	549	549
600	800	600	778	549	749
600	1000	600	978	549	949
800	400	800	378	749	349
800	500	800	478	749	449
800	600	800	578	749	549
800	800	800	778	749	749
800	1000	800	978	749	949
1000	400	1000	378	949	349
1000	500	1000	478	949	449
1000	600	1000	578	949	549
1000	800	1000	778	949	749
1200	400	1200	378	1149	349
1200	500	1200	478	1149	449
1200	600	1200	578	1149	549
1200	800	1200	778	1149	749
1200	1000	1200	978	1149	949
1400	400	1400	378	1349	349
1400	500	1400	478	1349	449
1400	600	1400	578	1349	549
1400	800	1400	778	1349	749
1600	400	1600	378	1549	349
1600	500	1600	478	1549	449
1600	600	1600	578	1549	549
1600	800	1600	778	1549	749



UNIVERSAL CORNER PIECES

EUZE CODE	DESCRIPTION
EUZE-A100	CORNER PIECES FOR PLINTH H=100
EUZE-A200	CORNER PIECES FOR PLINTH H=200

Supply includes 4 pieces with mounting accessories.

SIDE/FRONT CROSSPIECES

EUZE CODE	DESCRIPTION	CROSS. LENGTH MM
EUZE-T0300	PLINTH CROSSPIECES L=300	144
EUZE-T0400	PLINTH CROSSPIECES L=400	244
EUZE-T0500	PLINTH CROSSPIECES L=500	344
EUZE-T0600	PLINTH CROSSPIECES L=600	444
EUZE-T0800	PLINTH CROSSPIECES L=800	644
EUZE-T1000	PLINTH CROSSPIECES L=1000	844
EUZE-T1200	PLINTH CROSSPIECES L=1200	1044
EUZE-T1400	PLINTH CROSSPIECES L=1400	1244
EUZE-T1600	PLINTH CROSSPIECES L=1600	1444

To order the front and side crosspieces H=200, add the suffix "D" to the code (i.e.: EUZE-T0300D). Supply includes 2 pieces.



WATERTIGHT PLINTH H=200 MM EUZ3

To be used as a conduit for cables passage and to protect cables from chemical agents and accidental shocks.

Suite

CHARACTERISTICS

Manufactured from press bent and welded sheet steel.

PAINT FINISH

ETA standard finishing cycle: paint-based primer with deposition by cataphoresis with epoxy resin and finishing using thermosetting powders. Colour: RAL 5020 textured finish.



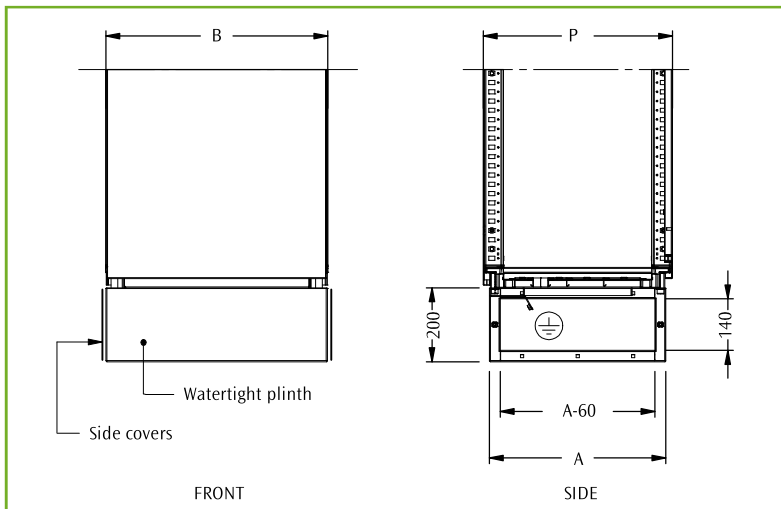
SUPPLY

- plinth (without covers)
- adhesive gasket
- mounting accessories.

Two side covers to be ordered separately.

WATERTIGHT PLINTH H=200 MM

EUZ3 CODE	CABINET DIM.		PLINTH	
	B	P	B	A
EUZ3-040040	400	414	400	378
EUZ3-040050	400	514	400	478
EUZ3-040060	400	614	400	578
EUZ3-040080	400	814	400	778
EUZ3-060040	600	414	600	378
EUZ3-060050	600	514	600	478
EUZ3-060060	600	614	600	578
EUZ3-060080	600	814	600	778
EUZ3-080040	800	414	800	378
EUZ3-080050	800	514	800	478
EUZ3-080060	800	614	800	578
EUZ3-080080	800	814	800	778
EUZ3-100040	1000	414	1000	378
EUZ3-100050	1000	514	1000	478
EUZ3-100060	1000	614	1000	578
EUZ3-100080	1000	814	1000	778
EUZ3-120040	1200	414	1200	378
EUZ3-120050	1200	514	1200	478
EUZ3-120060	1200	614	1200	578
EUZ3-120080	1200	814	1200	778



TWO SIDE COVERS EUFL

SUPPLY

- two side covers with gasket
- mounting accessories.

TWO SIDE COVERS

EUFL CODE	CABINET DEPTH
EUFL-000400	400
EUFL-000500	500
EUFL-000600	600
EUFL-000800	800

Suite

LIFTING DEVICE FOR JOINED CABINETS TR-01

CHARACTERISTICS

“L”-shaped profile dim. 100x50x8 mm, can be supplied up to L=5800 mm. Mathematic modelling report of the cabinet system in series and lifting bars.

PAINT FINISH

ETA standard finishing cycle: paint-based primer with deposition by cataphoresis with epoxy resin and finishing using thermosetting powders. Colour: RAL 5020 textured finish.



Available on request.



TRANSPORTATION PLINTH EUZU

Available in 2 versions:

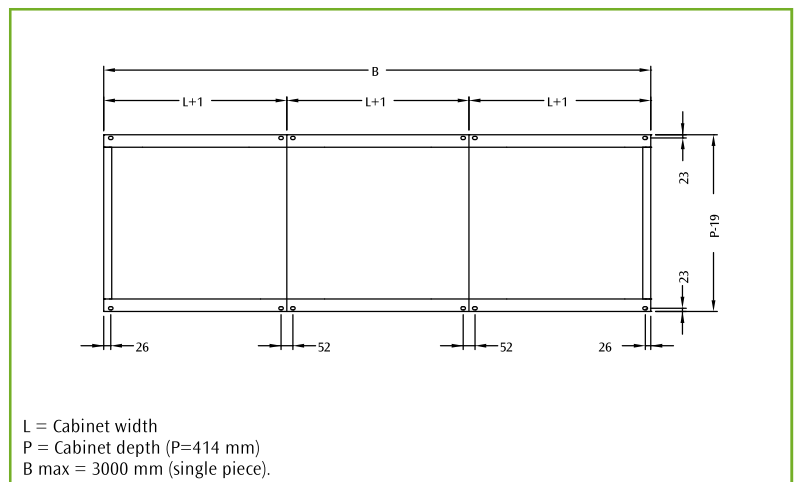
- 1 Manufactured from press bent sheet steel, 100 mm high
- 2 “U” shaped hot-rolled profile, 100 mm high.

PAINT FINISH

ETA standard finishing cycle: paint-based primer with deposition by cataphoresis with epoxy resin and finishing using thermosetting powders. Colour: RAL 5020 textured finish.



Available on request.



ANTI VIBRATION PLINTH EUZV

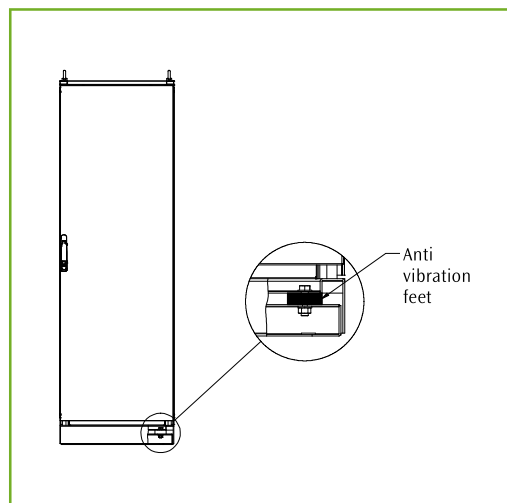
Manufactured from press bent sheet steel, H=100 mm, with special anti vibration devices.

PAINT FINISH

ETA standard finishing cycle: paint-based primer with deposition by cataphoresis with epoxy resin and finishing using thermosetting powders. Colour: RAL 5020 textured finish.



Available on request.



RAIN CANOPY EUTT

Particularly suitable for outdoor applications, where it is required an additional protection from atmospheric agents. We recommend the use of a cycle of special polyester painting for outdoor.

CHARACTERISTICS

Manufactured from sheet steel. Available for single cabinets or cabinets joined in a suite. H=40 mm.

PAINT FINISH

ETA standard finishing cycle: paint-based primer with deposition by cataphoresis with epoxy resin and finishing using thermosetting powders. Colour: RAL 5020 textured finish.



SUPPLY

Includes 1 piece complete with mounting accessories.

Mandatory for outdoor applications. Available on request in stainless steel and with different inclinations, angles and dimensions.



BLANK BASE EUFC

CHARACTERISTICS

Made up from a unique piece of galvanised sheet metal (for L=1000 and L=1200 mm composed of two parts), and compatible with E NUX cabinets (all standard dimensions) and E MOX cabinets (except L=1000). Suggestions for installation: mandatory for E NUX EMC cabinets and high IP; recommended for outdoor solutions (ETA Next Research Centre is available for advice).

SUPPLY

Includes 1 piece with mounting accessories.



RAIN CANOPY


EUTT CODE	CABINET DIMENSIONS	
	WIDTH	DEPTH
EUTT040040	400	400
EUTT040050	400	500
EUTT040060	400	600
EUTT040080	400	800
EUTT060040	600	400
EUTT060050	600	500
EUTT060060	600	600
EUTT060080	600	800
EUTT060100	600	1000
EUTT080040	800	400
EUTT080050	800	500
EUTT080060	800	600
EUTT080080	800	800
EUTT080100	800	1000
EUTT100040	1000	400
EUTT100050	1000	500
EUTT100060	1000	600
EUTT100080	1000	800
EUTT120040	1200	400
EUTT120050	1200	500
EUTT120060	1200	600
EUTT120080	1200	800
EUTT120100	1200	1000
EUTT140040	1400	400
EUTT140050	1400	500
EUTT140060	1400	600
EUTT140080	1400	800
EUTT160040	1600	400
EUTT160050	1600	500
EUTT160060	1600	600
EUTT160080	1600	800

BLANK BASE

EUFC CODE	DIMENSIONS	
	WIDTH	DEPTH
EUFC-040040	400	400
EUFC-040050	400	500
EUFC-040060	400	600
EUFC-040080	400	800
EUFC-060040	600	400
EUFC-060050	600	500
EUFC-060060	600	600
EUFC-060080	600	800
EUFC-080040	800	400
EUFC-080050	800	500
EUFC-080060	800	600
EUFC-080080	800	800
EUFC-100040	1000	400
EUFC-100050	1000	500
EUFC-100060	1000	600
EUFC-100080	1000	800
EUFC-120040	1200	400
EUFC-120050	1200	500
EUFC-120060	1200	600
EUFC-120080	1200	800
EUFC-140100	1400	1000
EUFC-160100	1600	1000

The seismic design study starts from the vulnerability evaluation of the structure located in different geographical scales. Thanks to the activity developed together with the Foundation Eucentre Pavia, TREES Lab (Laboratory for Training and Research in Earthquake Engineering and Seismology), we have set the following research activities:

- 1 Modelling and numerical simulation of the seismic response of two cabinets, in order to study, during the design phase, the behaviour that the systems considered (E NUX with anti-vibration plinth and E NUX with anti-seismic kit) would have manifested towards seismic actions in various geographical areas and on different soils.
- 2 Seismic simulation of the two cabinets dynamic behaviour on a vibrating table, with experimental tests on structures in order to realize experimental research on prototypes, also in large-scale (both static and dynamic tests).

 For more information, see the Technical section on page 349.

SEISMIC DESIGN				
EUKA CODE	VERSION	CABINET DIM.		
		L	A	P
EUKA-080060B	BASIC	800	ALL	600
EUKA-080080B	BASIC	800	ALL	800
EUKA-100060B	BASIC	1000	ALL	600
EUKA-080060M	MEDIUM	800	ALL	600
EUKA-080080M	MEDIUM	800	ALL	800
EUKA-082006S	STRONG	800	2000	600
EUKA-082008S	STRONG	800	2000	800



1 BASIC VERSION

TECHNICAL DATA

Peak acceleration ≤ 1G.
Mounting plate loaded up to 130 Kgs.

CHARACTERISTICS

- Plinth manufactured from press bent sheet steel, H=100, with anti-vibration elements and the possibility of floor fixing. Painting colour: RAL 5020 textured finish.
- Rails WTPR (2 pieces) mounted in depth for the central fixing of the mounting plate + WTSF-001.

2 MEDIUM VERSION

TECHNICAL DATA

Peak acceleration ≤ 1G.
Loaded mounting plate > 130 ≤ 450 Kgs.

CHARACTERISTICS

- Plinth manufactured from press bent sheet steel, H=100, with anti-vibration elements and the possibility of floor fixing. Painting colour: RAL 5020 textured finish.
- Rails WTPR (2 pieces) mounted in depth for the central fixing of the mounting plate + WTSF-001.
- 2 top and bottom fixing brackets for mounting plate, manufactured of galvanized steel.

3 STRONG VERSION

TECHNICAL DATA

Peak acceleration > 1G.
Loaded mounting plate ≤ 450 Kgs.

CHARACTERISTICS

- Plinth manufactured from press bent sheet steel, H=100, with anti-vibration elements and the possibility of floor fixing. Painting colour: RAL 5020 textured finish.
- Rails WTPR (2 pieces) mounted in depth for the central fixing of the mounting plate + WTSF-001.
- 2 top and bottom fixing brackets for mounting plate, manufactured of galvanized steel.
- 4 stiffening frames manufactured from galvanized steel.
- 8 stiffening structure brackets manufactured from galvanized steel.

COMPLIANT WITH THE TELCORDIA GR63 CORE SEISMIC REGULATION

In order to evaluate the performance of enclosures installed in zones with high seismic risk, the UBC (Uniform Building Code) is used as a reference. This establishes how the various areas of the building must be divided into zones with increasing level of severity (zone 4 = high risk).

In order to carry out the conformity tests, the study takes over in compliance with the American Bellcore regulation, which is used as a reference in the sector. Thanks to the collaboration with Fondazione Eucentre (Laboratory for Training and Research in Earthquake Engineering and Seismology - University of Pavia) and CESI, a pseudo-static study dedicated to modelling with elastic response spectra has been prepared to increase the ETA enclosures offer with seismic design, proposing specific solutions in compliance with the Bellcore (TELCORDIA-GR-63-CORE-Issue3, March 2006) seismic regulation.

4 SOLUTION E NUX SINGLE DOOR WITH ROTARY PLATE AND RACK

Bellcore Standard (TELCORDIA-GR-63-CORE-Issue3, March 2006) zone 1, 2 and 3

LOAD ON PLATE

Up to 1600 N with plate mounted in recessed version.

LOAD ON RACK FRAME

Up to 1000 N with decentralised rotary rack frame.

5 SOLUTION E NUX DOUBLE DOOR WITH MOUNTING PLATE AND SINGLE DOOR WITH RACK UPRIGHTS, JOINED IN SERIES

Bellcore Standard (TELCORDIA-GR-63-CORE-Issue3, March 2006) zone 1 and 2

LOAD ON PLATE

Up to 1600 N with plate mounted in recessed version.

LOAD ON RACK UPRIGHTS

Up to 2000 N.

6 SOLUTION E NUX DOUBLE DOOR WITH MOUNTING PLATE AND SINGLE DOOR WITH RACK UPRIGHTS, JOINED IN SERIES

Bellcore Standard (TELCORDIA-GR-63-CORE-Issue3, March 2006) zone 3

LOAD ON PLATE

Fino a 1600 N with plate mounted in recessed version.

LOAD ON RACK UPRIGHTS

Up to 2000 N.

ETA proposes 6 seismic design solutions. The ETA NEXT team will be able to suggest the best solution for your application:

THE CUSTOMER INDICATES:

- Place of installation
- Elastic response spectrum
- Peak acceleration and seismic zone according to Telcordia



THE ETA NEXT TEAM:

- Compares the report data available with the customer's data
- Assesses the various models and proposes the most suitable one
- Provides evidence of the choices proposed
- Suggests the best solution for the specific case

Technical support and skill make a difference when choosing a supplier.

Suite



SPECIAL SOLUTIONS FOR E NUX CABINETS WITH NEMA 4X / IP>55 OR NEMA 4

For IP protection rating or NEMA that are different from the standard (E NUX IP55 / NEMA 12), special cabinets supplied already mounted are available.

- Material: mild steel or stainless steel AISI304L / AISI316L
- Application: indoor or outdoor
- Version: single blank door cabinet in stand-alone version or joined in a suite.

SPECIAL CABINET NEMA 4X

- Material: stainless steel AISI304L or AISI316L
- Application: indoor or outdoor

CHARACTERISTICS

E NUX cabinet supplied already mounted, with panels provided with silicone seal, specific kit of screws and components, unique base plate for cable entry bottom. Mandatory rain canopy for outdoor applications, supplied not assembled on the cabinet.

For particularly harsh outdoor applications, we recommend the use of stainless steel solutions. For further information, see the Technical section or ask for our E BOOK.



SHROUD FOR FILTER FANS

In the presence of a ventilation or filtering system (cf. page 329), this cover kit determines maintenance of the IP protection rating in the event of heavy duty installation or environments.

CHARACTERISTICS

In galvanised sheet metal.

PAINTING

ETA standard finishing cycle: paint-based primer with deposition by cathaphoresis with epoxy resin and finishing using thermosetting powders. Colour: RAL 7035 textured finish.

SUPPLY

A single piece complete with assembly accessories.

PROTECTION RATING

- Filter/fan: IP56 compliant with EN60529.
- Protection rating guaranteed by the gasket.
- Resistance in saline mist and humidistat: pending.

Available also in stainless steel (cf. page 222).



SHROUD FOR FILTER FANS

WTCV CODE	COMPATIBLE WITH	
	FAN	GRID
WTCV10F	WTSV1000203 / WTSV1000211 WTSV1000220	WTSG10
WTCV15F	WTSV1500203 / WTSV1500211 WTSV1500220	WTSG15
WTCV20F	WTSV2000203 / WTSV2000211 WTSV2000220	WTSG20
WTCV25F	WTSV2500203 / WTSV2500211 WTSV2500220 / WTSV2501203 WTSV2501220	WTSG25
WTCV30F	WTSV3000203 / WTSV3000220 WTSV3001203 / WTSV3001220 WTSV3002203 / WTSV3002220 WTSV3002262	WTSG30



SPECIAL CABINET IP>55

- Material: mild steel and stainless steel AISI304L or AISI316L
- Application: indoor or outdoor.

CHARACTERISTICS

E NUX cabinet supplied already mounted, with panels provided with silicone seal, specific kit of screws and components, unique base plate for cable entry bottom. Mandatory rain canopy for outdoor applications, supplied not assembled on the cabinet.

PAINT FINISH

For indoor applications:
ETA standard finishing cycle: paint-based primer with deposition by cataphoresis with epoxy resin and finishing using thermosetting powders.
Colour: RAL 7035 textured finish.

For outdoor applications:
ETA special finishing cycle: paint-based primer with deposition by cataphoresis with epoxy resin and finishing using thermosetting powders.
Colour: RAL 7035 smooth.



SPECIAL CABINET NEMA 4

- Material: mild steel
- Application: indoor or outdoor.

CHARACTERISTICS

E NUX cabinet supplied already mounted, with panels provided with silicone seal, specific kit of screws and components, unique base plate for cable entry bottom. Mandatory rain canopy for outdoor applications, supplied not assembled on the cabinet.

PAINT FINISH

For indoor applications:
ETA standard finishing cycle: paint-based primer with deposition by cataphoresis with epoxy resin and finishing using thermosetting powders.
Colour: RAL 7035 textured finish.

For outdoor applications:
ETA special finishing cycle: paint-based primer with deposition by cataphoresis with epoxy resin and finishing using thermosetting powders.
Colour: RAL 7035 smooth.



RAL 7035



RAL 5020

Suite



CASTORS WTRU-001

High quality polyamide wheels. Load capacity 120 kgs each wheel.

SUPPLY

Includes 4 pieces (2 rotating wheels, 2 wheels with brake).



LEVELLING FEET WTPX-001

They can be applied on the cabinet structure or plinth. Suitable for un-even floors or applications that require cleaning under the cabinet.

CHARACTERISTICS

In PVC, screws made from zinc steel.

SUPPLY

Includes 4 pieces with plate and mounting accessories.

Compatible with cabinets joined in series.

ONE PIECE CABLE ENTRY BOX FOR JOINED CABINETS

CHARACTERISTICS

Manufactured from press bent sheet steel.

PAINT FINISH

ETA standard finishing cycle: paint-based primer with deposition by cataphoresis with epoxy resin and finishing using thermosetting powders. Colour: RAL 7035 textured finish.

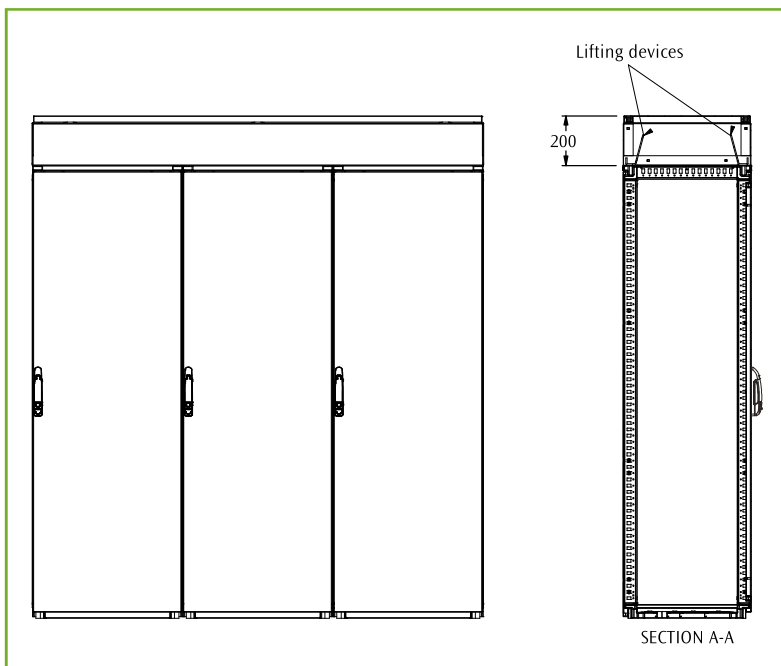


SUPPLY

Includes 1 piece cable entry box with lifting devices.



Available in one piece up to 1800 mm wide. Available on request.





CABLE ENTRY BOX EUVC

For mounting on cabinet roof, it offers complete accessibility from each side and allows cabling or bus-bar systems to be installed.

CHARACTERISTICS

Structure manufactured from sheet steel, complete with fixing and lifting joints.

PAINT FINISH

ETA standard finishing cycle: paint-based primer with deposition by cataphoresis with epoxy resin and finishing using thermosetting powders. Colour: RAL 7035 textured finish.



SUPPLY

- Includes:
- cable entry box H=204 mm with rear and front panel
 - adhesive gasket.

PROTECTION RATING

IP55.

To be ordered separately:

1. side covers
2. use cabinet roof to close top of cable entry box
3. dividing panel between cable entry box and cabinet is available on request (manufactured from sendzimir sheet steel including gasket).

CABLE ENTRY BOX

EUVC CODE	DIMENSIONS		B*	P**
	WIDTH	DEPTH		
EUVC040050	400	500	400	514
EUVC040060	400	600	400	614
EUVC040080	400	800	400	814
EUVC060050	600	500	600	514
EUVC060060	600	600	600	614
EUVC060080	600	800	600	814
EUVC080050	800	500	800	514
EUVC080060	800	600	800	614
EUVC080080	800	800	800	814
EUVC100050	1000	500	1000	514
EUVC100060	1000	600	1000	614
EUVC100080	1000	800	1000	814
EUVC120050	1200	500	1200	514
EUVC120060	1200	600	1200	614
EUVC120080	1200	800	1200	814

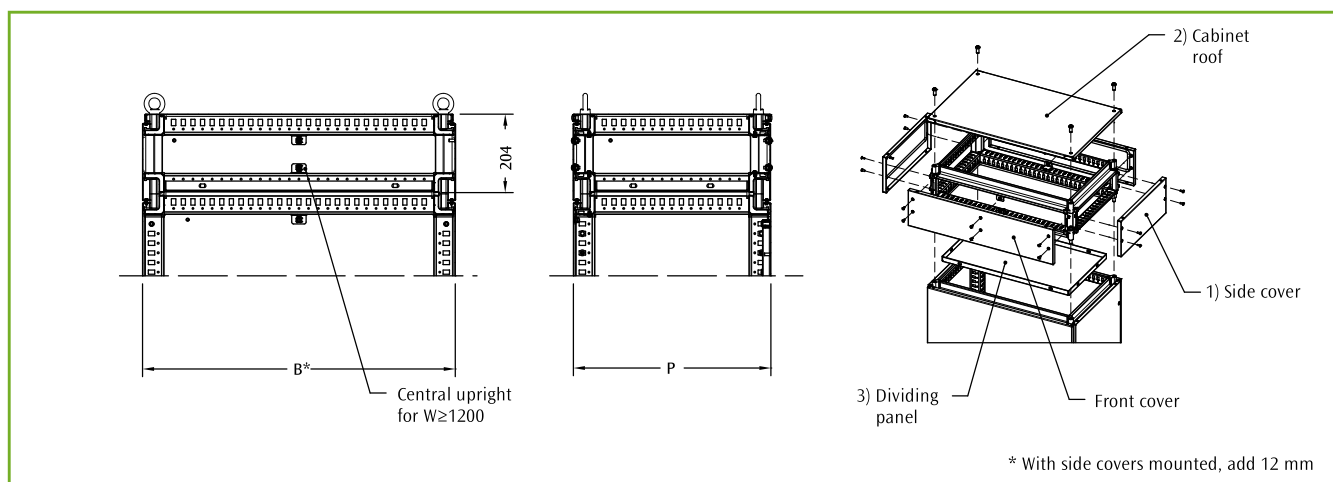
** Including front covers

SIDE COVERS (2 PIECES)

EUFV CODE	CABINET
	DEPTH
EUFV000500	500
EUFV000600	600
EUFV000800	800

DIVIDING PANEL (ON REQUEST)

EULC CODE	CABINET DIMENSIONS	
	WIDTH	DEPTH
EULC-040050	400	500
EULC-040060	400	600
EULC-040080	400	800
EULC-060050	600	500
EULC-060060	600	600
EULC-060080	600	800
EULC-080050	800	500
EULC-080060	800	600
EULC-080080	800	800
EULC-100050	1000	500
EULC-100060	1000	600
EULC-100080	1000	800
EULC-120050	1200	500
EULC-120060	1200	600
EULC-120080	1200	800



REINFORCING BRACKETS EUKU-003

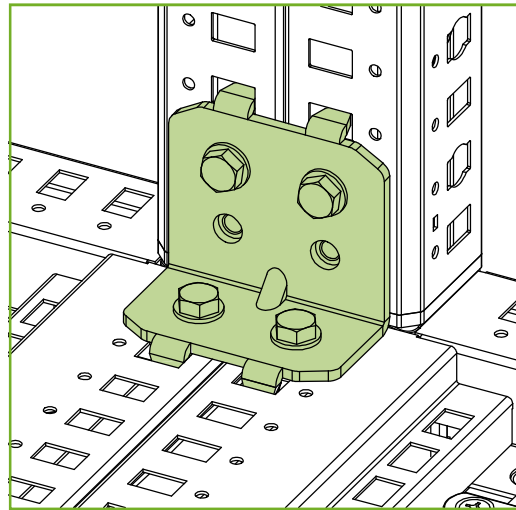
To be used to provide more rigidity to cabinets joined in a suite.

 **CHARACTERISTICS**

Manufactured from zincpassivated sheet steel.

 **SUPPLY**

Includes 4 pieces with mounting accessories.



UNIVERSAL JOINING KIT EUKU-008

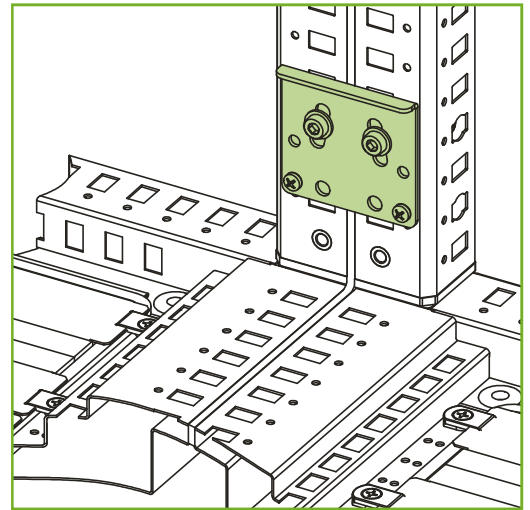
Fast-fixing joining kit, designed to easily join E NUX cabinets. The item combines the strenght of the solution to the flexibility of its application and assembly.

 **CHARACTERISTICS**

In zinc-passivated sheet steel, complete with adhesive gasket to ensure the IP protection rating.

 **SUPPLY**

Includes nr. 8 pieces with mounting accessories.



JOINING KIT EUKU-001/EUKU-002

To be used to join two cabinets together. It's recommended to use lifting brackets WTSS-001 instead of lifting eyebolts.

CHARACTERISTICS

Union spacers and mounting accessories manufactured from zinc sheet steel with adhesive gasket to guarantee IP protection degree.

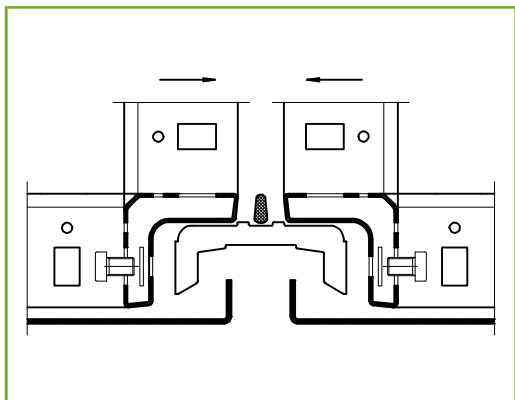
SUPPLY

Includes union spacers and fixing accessories.
 EUKU-001 includes 4 pieces for cabinet H=1400
 EUKU-002 includes 8 pieces for cabinet H=1600/1800/2000/2200.



JOINING KIT

EUKU CODE	CABINET HEIGHT
EUKU-001	1400
EUKU-002	1600
EUKU-002	1800
EUKU-002	2000
EUKU-002	2200



ENUX suite cabinets are provided with CE, ATEX, TUV, RINA, cULus, EAC, ROHS marks, with protection rating IP55, NEMA 12, IK10.

JOINING KIT EUKU-005/EUKU-006

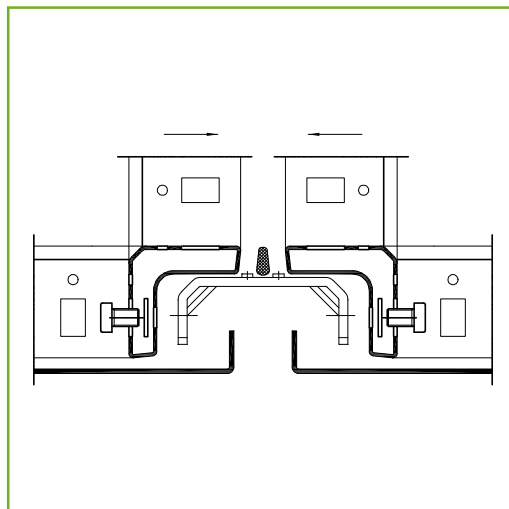
CHARACTERISTICS

Simplified solution of joining kit manufactured from 4.0 mm thick pressed zincpassivated sheet steel.

SUPPLY

EUKU-005 includes 4 pieces for cabinet H=1400
 EUKU-006 includes 8 pieces for cabinet H=1600/1800/2000/2200.


ENUX suite cabinets are provided with CE, ATEX, TUV, RINA, cULus, EAC, ROHS marks, with protection rating IP55, NEMA 12, IK10.



JOINING KIT

EUKU CODE	CABINET HEIGHT
EUKU-005	1400
EUKU-006	1600
EUKU-006	1800
EUKU-006	2000
EUKU-006	2200



 Fixing brackets WTSF-001 to be ordered separately.

RAIL H=50 MM WTPR

A unique easy mounted rail is used for all applications (horizontal, lateral and vertical mounting).

CHARACTERISTICS

Manufactured from sendzimir sheet steel with holes at 25 mm. To be assembled to the structure with fixing brackets for rails WTSF-001.

SUPPLY

Includes 4 pieces.

RAILS H=50 MM	
WTPR CODE	RAIL LENGTH
WTPR-050040	300
WTPR-050050	400
WTPR-050060	500
WTPR-050080	700
WTPR-050100	900
WTPR-050120	1100
WTPR-050140	1300
WTPR-050160	1500
WTPR-050180	1700
WTPR-050200	1900
WTPR-050220	2100



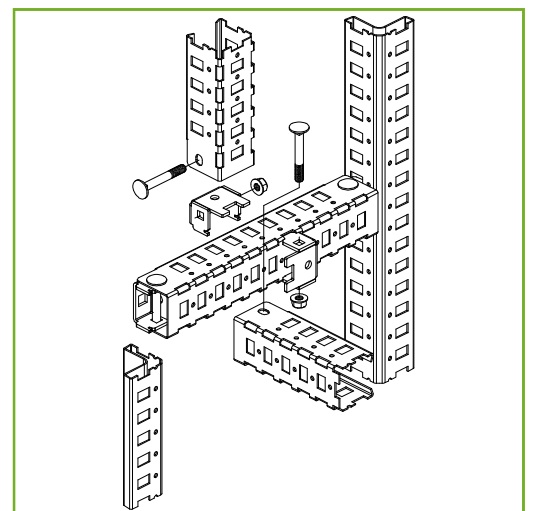
FIXING BRACKETS FOR RAILS WTSF-001

CHARACTERISTICS


Manufactured from zincpassivated sheet steel.

SUPPLY

Includes 8 pieces with mounting accessories.





 Self-tapping screws WA218 (supply includes 50 screws Ø 5.5x13) to be ordered separately.

FAST FIXING BRACKETS WTPR - R

A cost effective solution allowing rapid fixing and professional result.

CHARACTERISTICS

Manufactured from sendzimir sheet steel.

SUPPLY

Includes 4 pieces.

RAILS H=25 MM

WTPR CODE	CABINET DIMENSIONS
WTPR-025040R	400
WTPR-025050R	500
WTPR-025060R	600
WTPR-025080R	800
WTPR-025100R	1000



WA218

Zincpassivated self-tapping screws Ø 5.5x13.


SUPPLY

Includes 50 pieces.

RAILS H=50 MM

WTPR CODE	CABINET DIMENSIONS
WTPR-050040R	400
WTPR-050050R	500
WTPR-050060R	600
WTPR-050080R	800
WTPR-050100R	1000



 Self-tapping screws WA218 (supply includes 50 screws Ø 5.5x13) to be ordered separately.

FAST-FIXING RAILS WTPR

Manufactured from sendzimir sheet steel, designed for the fixing in depth on E NUX or E MOX cabinets supplied with EUMI uprights.

SUPPLY

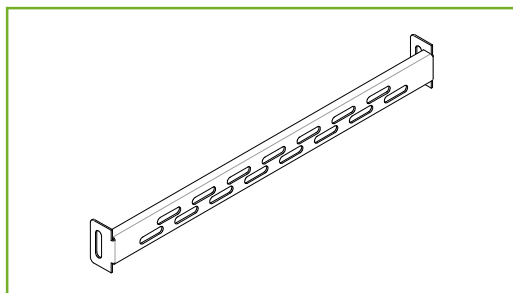
Includes nr. 4 pieces.

RAILS

WTPR CODE	CABINET DEPTH
WTPR-0600R	600
WTPR-0800R	800
WTPR-1000R	1000

REINFORCEMENT CROSSPIECES EUTC

EUTC CODE	CABINET DEPTH
EUTC-000500	500
EUTC-000600	600
EUTC-000800	800
EUTC-001000	1000



REINFORCEMENT CROSS-PIECES FOR FIXING INSTRUMENTS EUTC

CHARACTERISTICS

Manufactured from galvanised sheet steel, with appropriate slots to allow the fixing of instruments on E NUX cabinet side panels.

SUPPLY

Includes 2 pieces with mounting accessories.



EYEBOLTS WTGS-001

CHARACTERISTICS
Zincpassivated M12 lifting eyebolts.

SUPPLY
Includes 4 pieces.

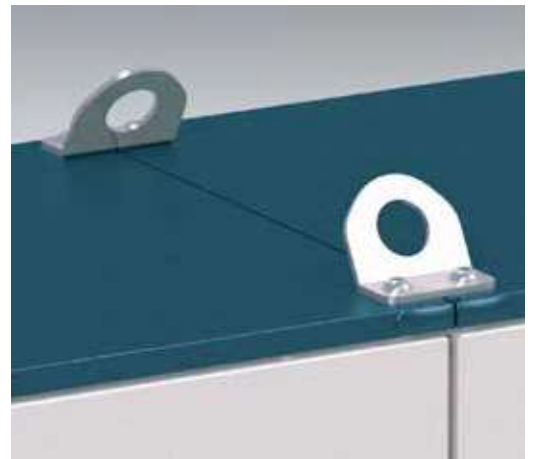


LIFTING BRACKETS WTSS-001

CHARACTERISTICS
Lifting brackets manufactured from zincpassivated sheet steel.

SUPPLY
Includes 4 pieces.

🔍 If 2 lifting brackets only are needed, order WTSS-001CP.



180° DOOR HINGES EUCE

Hinges for 180° opening to be mounted on standard doors, complete with mounting accessories.

CHARACTERISTICS
Manufactured from pressed zama.

🔍 To be ordered separately side panels EUFI-C for the assembly on the side provided with 180° hinges, see page 58.

180° HINGES

EUCE CODE	DOOR HEIGHT	N. PCS. / PACK	COLOUR
EUCE-181-5020B	1800 - 2000	4	5020 ■
EUCE-182-5020B	2200	5	5020 ■
EUCE-183-5020B	1400 - 1600	3	5020 ■
EUCE-181-9011B	1800 - 2000	4	9011 ■
EUCE-182-9011B	2200	5	9011 ■
EUCE-183-9011B	1400 - 1600	3	9011 ■
EUCE-181-7035B	1800 - 2000	4	7035 ■
EUCE-182-7035B	2200	5	7035 ■
EUCE-183-7035B	1400 - 1600	3	7035 ■
EUCE-181-7025B	1800 - 2000	4	7025 ■
EUCE-182-7025B	2200	5	7025 ■
EUCE-183-7025B	1400 - 1600	3	7025 ■

DOOR INTERLOCK WTBP-001

This mechanical door interlock allows the opening of the second door only when the main one is open.

CHARACTERISTICS
Manufactured from zincpassivated sheet steel.

SUPPLY
Includes 1 piece supplied with mounting accessories.



DOOR LOCK FOR CABINETS JOINED IN A SUITE WTBP

It can be used on E NUX enclosures joined in a suite, as a complement to the door lock of the standard main switches. The secondary doors in line are opened only after the main door/s has opened. The position of the main switch of flat-pack enclosures is not binding, as it is independent of the door recess. The opening/closing of secondary doors occurs simultaneously, following the locking/unlocking of the door with the main switch.

CHARACTERISTICS

Door lock parts manufactured from galvanized sheet steel. Connection blocks and transmission rods manufactured from galvanized sheet steel.

1 WTBPC-001

Control device for enclosure with main switch (main panel). Consider one piece per battery.

2 WTBPB-001

Door lock for cabinets joined in a suite (to be installed on secondary cabinets). Consider one piece for each single door and master door of the double door cabinet.

4 WTBPA-060 W=600

WTBPA-080 W=800

WTBPA-120 W=1200

WTBPA-140 W=1400

WTBPA-160 W=1600

Transmission rods (1 piece) to transfer the lock status from the main to the secondary enclosures. For each secondary enclosure, one rod of the same size as the enclosure is required.

3 + 5 WTBPK-001

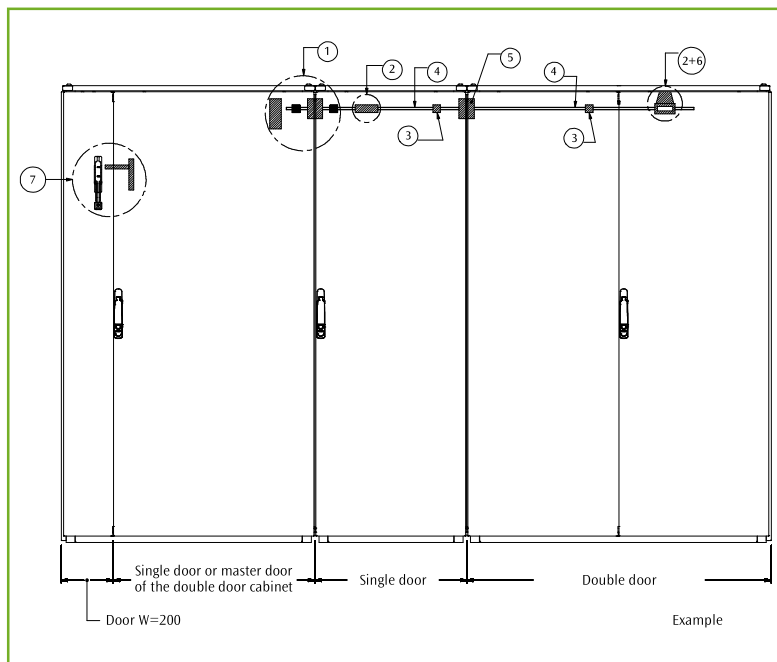
Rod joining blocks (5 pcs) and intermediate supports (5 pcs).

6 WTBPS-001

Door block support for final enclosure. Consider one piece per battery.

WTBPP-002 (Suggested)

Safety kit for complete door closing of secondary cabinets in case of closing the main cabinet door. Consider one piece for each WTBPP-001.



Suite

DISCONNECTING SWITCH WTBPU-001 (US VERSION)

Regulations for the US market prescribe a safety lock for a single enclosure or a set of flat-pack enclosures. The disconnecting switch can be installed only with the following models of main switches:

- 1494U (activation lever - includes ranges of power up to 600A) - Allen Bradley
- 9422 A1 - Square D
- Max Flex Series/ FHOH - ITE Siemens
- Type 1 and 2 - General Electric TDA.

7 WTBPU-001

Safety lock for main door (for US). Consider one piece per cabinet.

For complete installation, a system with door lock for main enclosure, locks for secondary doors and transmission rods of the same width as the enclosure is required.

CHARACTERISTICS

Door lock parts manufactured from galvanized sheet steel.

COMPOSITION OF THE DOOR LOCK

- 1 Main cabinet (double or single door stopped): use control device WTBPC-001 and safety kit WTBPP-002. Optional: safety lock WTBPU-001. As an alternative to WTBPC-001, door lock WTBP-001.
- 2 Secondary cabinet: use door lock for cabinets in line WTBPB-001 + rod WTBPA (on the basis of the width of the cabinet).
- 3 Add WTBPK-001 for every other cabinet in series.
- 4 Attention: select WTBPA on the basis of the width of every cabinet or total length of the series.
- 5 To close the composition, for the last cabinet envision the door block support WTBPS-001.

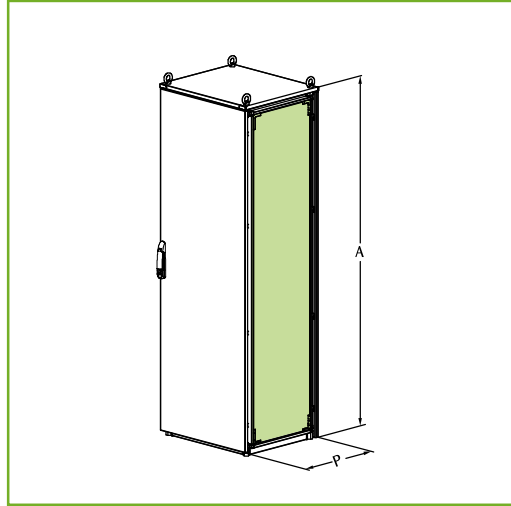


BLANK VERTICAL DIVIDING PANEL EUD1

Manufactured from sendzimir sheet steel then folded on the sides. To be used to separate two cabinets.

SUPPLY

Includes 1 piece complete with mounting accessories.



BLANK VERTICAL DIVIDING PANEL

EUD1 CODE	CABINET DIMENSIONS	
	P	A
EUD1-040140	414	1409
EUD1-040160	414	1609
EUD1-040180	414	1809
EUD1-040200	414	2009
EUD1-050140	514	1409
EUD1-050160	514	1609
EUD1-050180	514	1809
EUD1-050200	514	2009
EUD1-050220	514	2209
EUD1-060160	614	1609
EUD1-060180	614	1809
EUD1-060200	614	2009
EUD1-060220	614	2209
EUD1-080180	814	1809
EUD1-080200	814	2009
EUD1-080220	814	2209

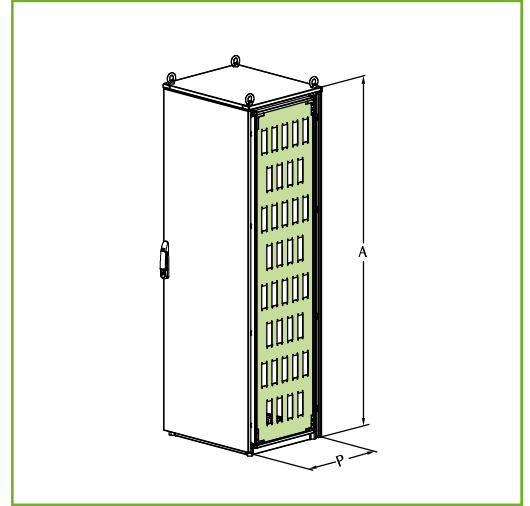
When we have 2 suite cabinets + EUD1, the protection rating inside the cabinet is IP2X.

PUNCHED PARTITION PANEL EUD2

Punched partition panel for 24 pole connectors, manufactured from sendzimir sheet steel.

SUPPLY

Includes 1 piece complete with mounting accessories.



PUNCHED PARTITION PANEL

EUD2 CODE	CABINET DIMENSIONS		
	P	A	HOLES NO.
EUD2-050180	514	1809	36
EUD2-050200	514	2009	40
EUD2-060180	614	1809	44
EUD2-060200	614	2009	49
EUD2-080180	814	1809	68
EUD2-080200	814	2009	76

When we have 2 suite cabinets + EUD2, the protection rating inside the cabinet is IP2X.

WE350Z

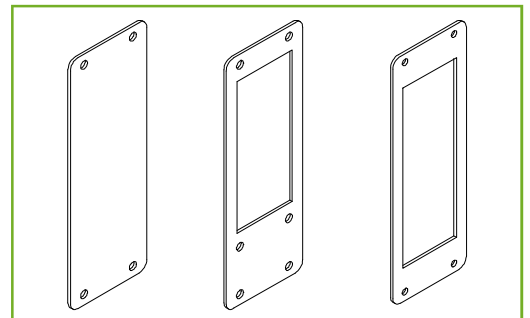
Closing plate (supply includes 1 piece).

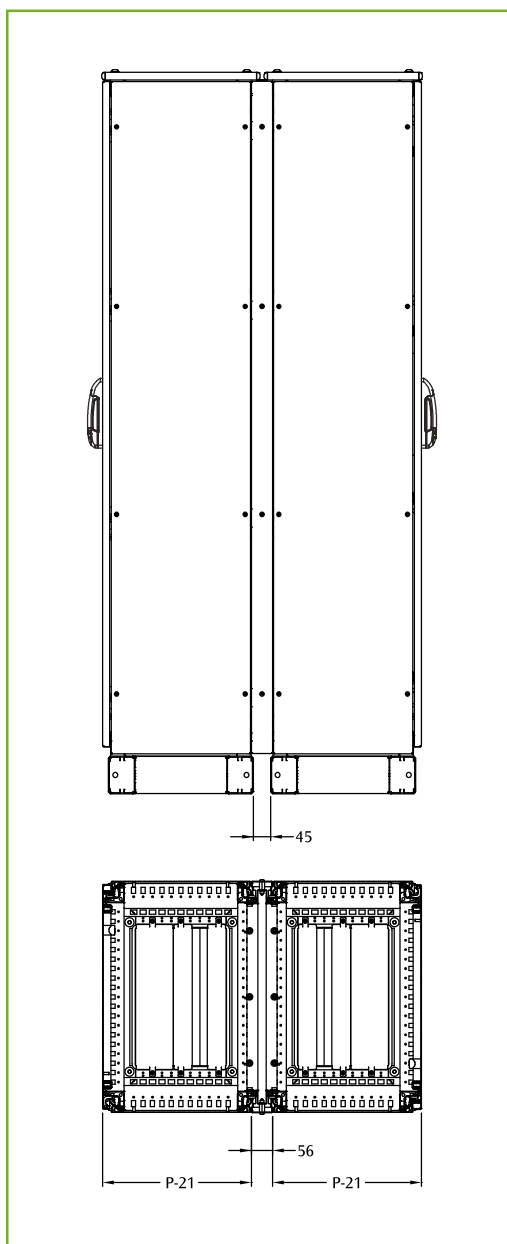
WE351Z

Reducer 24/16 poles (supply includes 1 piece).

WE352

Gasket (supply includes 1 piece).





FRAME JOINING KIT BACK TO BACK EUTP

CHARACTERISTICS

Special kit to join cabinets back to back, manufactured from press bent sheet steel.

PAINT FINISH

ETA standard finishing cycle: paint-based primer with deposition by cataphoresis with epoxy resin and finishing using thermosetting powders. Colour: RAL 7035 textured finish.



SUPPLY

- joining frame
- trim covers with gasket and mounting accessories.

FRAME JOINING KIT BACK TO BACK

EUTP CODE	CABINET DIMENSIONS	
	WIDTH	HEIGHT
EUTP060180	600	1800
EUTP080180	800	1800
EUTP100180	1000	1800
EUTP120180	1200	1800
EUTP060200	600	2000
EUTP080200	800	2000
EUTP100200	1000	2000
EUTP120200	1200	2000

DIMENSIONAL SPECIFICATIONS

CABINET DEPTH	P
400	414
500	514
600	614
800	814
1000	1014

Suite



CORNER CABINET

CHARACTERISTICS

Manufactured from press bent sheet steel.

PAINT FINISH

ETA standard finishing cycle: paint-based primer with deposition by cataphoresis with epoxy resin and finishing using thermosetting powders. Colour: RAL 7035 textured finish.

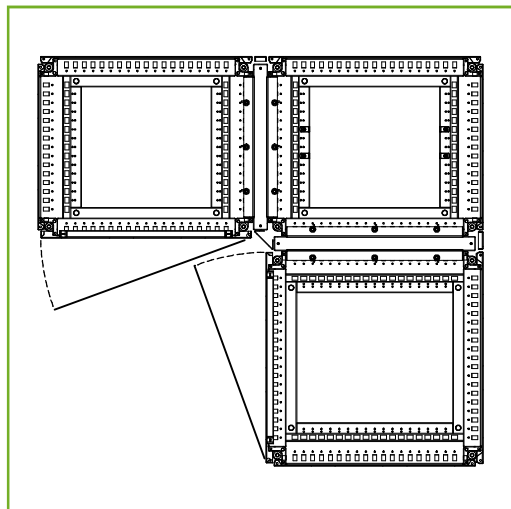


SUPPLY

- joining frame
- removable front trim panel
- side trim panels
- gasket and mounting accessories.

PROTECTION RATING

- IP55 complying with IEC EN62208; EN60529
- NEMA 12 complying with UL508A; UL50
- impact resistance IK10 complying with IEC EN62208; EN62262.



Available on request.

UNIVERSAL WORK SHELF EURL001

Ideal for positioning programming equipment, or as a simple support shelf, this unit can be folded down thanks to its special system of guides.

Furnished in a single size (W=420 mm and D=400mm), the shelf can be adjusted to three positions (50° / 70° / 90°), and can be mounted directly onto the reinforcing frame of the solid doors E NUX W = 600. For W> 600, order the universal shelf EURL001 with a pair of WTTO door crossbars.

Maximum load carrying capacity: 20kg.

STRUCTURE

Manufactured in galvanised sheet metal.

COMPOSITION

Single piece complete with supporting rods and mounting accessories.

See the following page for the WTTO crossbars.



EXTERNAL SHELF WTRE000600

Equipped with guides and a double flap closing system, this unit can be mounted on the exterior side of the ETA cabinets' solid doors (door customization must be requested at the time of the order).

STRUCTURE

Made from sheet steel.

COATING

ETA standard finishing cycle: paint-based primer with deposition by cataphoresis with epoxy resin and finishing using thermosetting powders. Colour: RAL 7035 textured finish.



COMPOSITION

Single piece complete with guides and mounting accessories.

PLAN POCKET WTTS

CHARACTERISTICS

Large size plan pocket manufactured from sheet steel.

PAINT FINISH

ETA standard finishing cycle: paint-based primer with deposition by cataphoresis with epoxy resin and finishing using thermosetting powders. Colour: RAL 7035.



SUPPLY

Includes 1 piece complete with mounting screws.

PLAN POCKET	
WTTS CODE	CABINET WIDTH
WTTS000500	500
WTTS000600	600
WTTS000700	700
WTTS000800	800
WTTS001000	1000



PLAN POCKET WA050

A4 sheet size plan pocket manufactured from thermoplastic material.

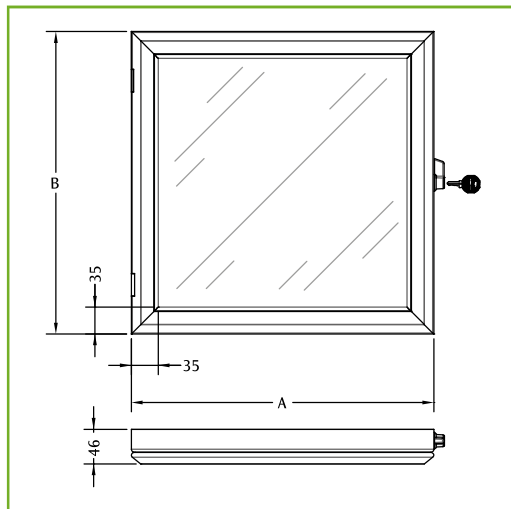
SUPPLY

Includes 1 piece with double sided adhesive tape.

ALUMINIUM WINDOW WIPX

To be used to protect components mounted on the door. Manufactured from anodized aluminium with glazed panel and sealing gasket.

SUPPLY
Includes 1 piece.



ALUMINIUM WINDOW

WIPX CODE	A	B
WIPX-44	400	400
WIPX-54	500	400
WIPX-55	500	500
WIPX-66	600	600

Other dimensions available on request from 300x300.



Aluminium windows available

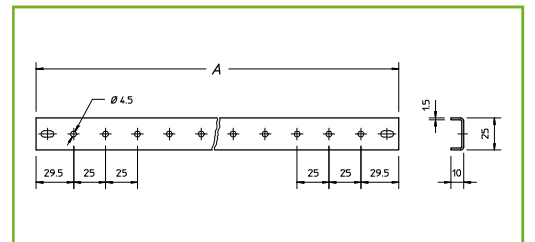
ECFA - see page 183
ECPV - see page 183

DOOR RAIL WTTO

To be applied to the door stiffening frame to allow the fixing of cables or trunking.

CHARACTERISTICS
Manufactured from sendzimir sheet steel.

SUPPLY
Includes 2 pieces complete with mounting accessories.



DOOR RAIL

WTTO CODE	CABINET WIDTH	A
WTTO-000400	400	284
WTTO-000600	600-1200	484
WTTO-000700	1400	584
WTTO-000800	800-1600	684
WTTO-001000	1000	884

CABLE HOLDING BAR WTSU-001

C-shaped drilled bar with 30x15 mm dimensions, to be mounted horizontally for anchoring and structured cabling.

CHARACTERISTICS

Manufactured from sheet steel.

SUPPLY

Includes one piece (L=2000 mm). Exact length to be specified when ordering.

Supporting brackets WTSQ-001 for width < 800 or WTSQ-005 for width ≥ 1000 to be ordered separately.



SUPPORTING BRACKETS WTSQ-001

Required to fasten the WTSU cable holding bar to the back panel. Fully compatible with 25 mm pitch drilling, they can be used as universal supporting brackets.

CHARACTERISTICS

Manufactured from die-cast zinc alloy.

SUPPLY

Package with 2 pieces complete with screws (see A).

For cabinet width ≥ 1000, order code WTSQ-005 (including 3 brackets and a compensation shim - see B).



Fig. A



Fig. B

CABLE CLAMPING BRACKET WTSM

To be applied onto WTSU cable holding bar.

CABLE CLAMPING BRACKET		
WTSM CODE	CABLE Ø EXT. IN MM	SUPPLY
WTSM-016	16	10 pcs.
WTSM-032	32	10 pcs.
WTSM-052	52	5 pcs.
WTSM-082	82	5 pcs.



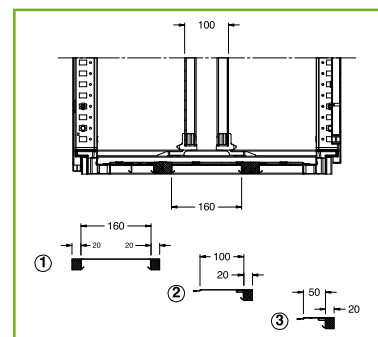
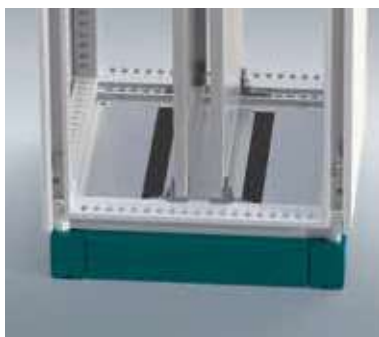
MODULAR BASE PLATE FOR CABLE ENTRY WTTG

CHARACTERISTICS

Modular elements manufactured from 1.0 mm thick sheet steel to customise the cable entry according to the final application. For dimensions, see pages 33, 34 and 41 - columns E / F.

SUPPLY

Includes 1 piece complete with gasket for W≤800 mm.
Includes 2 pieces complete with gasket for W≥1000 mm.



BASE PLATE FOR DOUBLE MOUNTING PLATE

BASE PLATE	CABINET WIDTH						
	400	600	800	1000*	1200*	1400*	1600*
1 (D=160 MM)	WTTG-040160	WTTG-060160	WTTG-080160	WTTG-100160	WTTG-120160	WTTG-140160	WTTG-160160
2 (D=100 MM)	WTTG-040100	WTTG-060100	WTTG-080100	WTTG-100100	WTTG-120100	WTTG-140100	WTTG-160100
3 (D=50 MM)	WTTG-040050	WTTG-060050	WTTG-080050	WTTG-100050	WTTG-120050	WTTG-140050	WTTG-160050

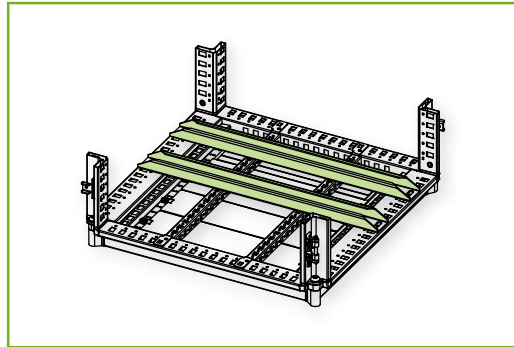
* Cabinets with double cable entry

TRANSFORMER SUPPORT WTST

Manufactured from press bent sendzimir sheet steel allowing the sliding of special nuts. The two rails and the nuts are adjustable, thus allowing easy fixing and positioning of transformers.


SUPPLY

Includes 2 rails with mounting accessories.



TRANSFORMER SUPPORT

WTST CODE	CABINET WIDTH
WTST-000400	400
WTST-000600	600
WTST-000800	800
WTST-001000	1000
WTST-001200	1200
WTST-001400	1400
WTST-001600	1600

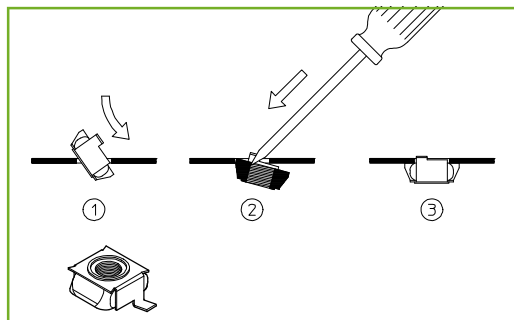
 For E NUX cabinet with medium/high loads, fast fixing brackets are suggested (please check on page 75).



CAGE NUTS M8 WTDA-001

CAGE NUTS M6 WTDA-002

Supply includes 20 pieces.



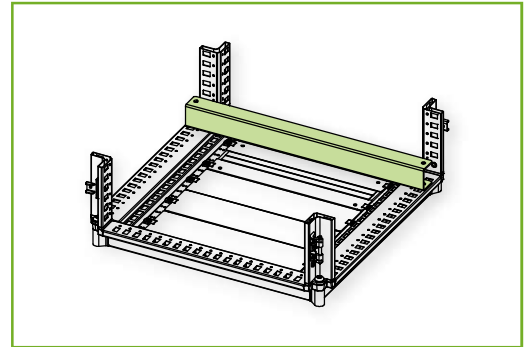
RAILS FOR CABLE FIXING WTTF

CHARACTERISTICS

Manufactured from zincpassivated sheet steel.

SUPPLY

Includes 1 piece with mounting accessories.



RAILS FOR CABLE FIXING

WTTF CODE	CABINET WIDTH
WTTF-000400	400
WTTF-000600	600
WTTF-000800	800
WTTF-001000	1000
WTTF-001200	1200
WTTF-001400	1400
WTTF-001600	1600



WA385

Special sliding nuts to fix transformer. Supply includes 4 nuts, screws and washers.



MARKER W17035

Easy to use, it is used for minor adjustment on painted surfaces. Colour: RAL 7035

VDE OUTLET WTVD-001

For application on DIN profile.
Dimensions: W x H x D = 52 x 52 x 59.



MICROSWITCH WI100

Complying with IEC 337-VDE 0660.
Fast-installed thermoplastic support.

SUPPLY

Includes microswitch with support and mounting accessories.

CONFORMITY AND APPROVAL



THREE-PHASE FLASHING SAFETY DEVICE WI105

The device indicates the power status of the distribution board and shows it visually by means of three high-yield LEDs. It is connected directly after the main switch and positioned so that it is clearly visible when the door is opened. Flashing indicates dangerous voltage.

The electronic circuit based on SMD technology is optimized for multiple voltage RATING (110÷690V) both for single-phase and three-phase circuits. The safety device WI105 is also provided with electrically separated protection terminals to insulate the parts under voltage, suitable for large section wires (2,5 mm²) and with screw terminals up to 5 mm diameter.

SUPPLY

- metal fixing bracket
- flashing device
- interlocking limit switch with NC contact for auxiliary circuits.

CONFORMITY AND APPROVAL



Compliant with IEC 947-5-1 CEI 7.45 EN60947.5.1.

PROTECTION CLASS

II.



 Upon request, a N.O. contact WI107 can be supplied separately.



LAMP WTLA-080

Long-lasting and energy-saving LED lamp, that can be fixed with brackets or magnetic support.

Up to 10 lamps can be mounted.

Power: 5W

Life cycle: 60.000h at +20°

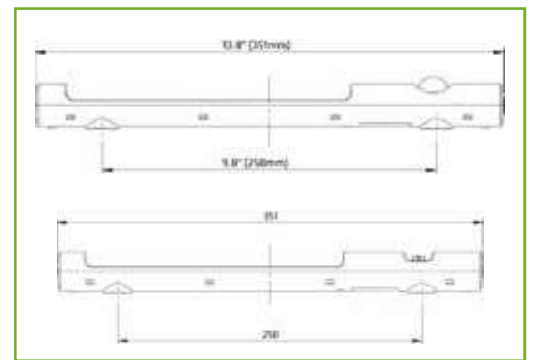
Connection: 2-pole connector with snap lock

AC: max. 2,5 A / 240 V AC, colour: white

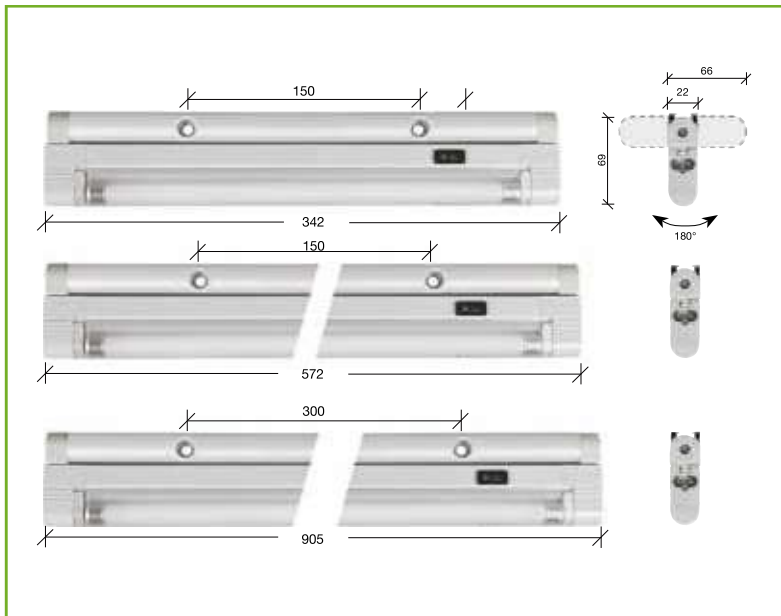
DC: max. 2,5 A / 60 V DC, colour: blue

PROTECTION RATING:

IP20 / II



Magnetic support available WTPM-002.



FLUORESCENT ELECTRONIC LAMP

A complete lighting system for industrial cabinets, featured by a compact shape and eye-catching design. The lamp can be easily fastened on the cabinet and allows an orientation of 180°; up to 5 lamps can be mounted in a single cabinet.

CHARACTERISTICS

Casing in aluminium finishing, diffuser in methacrylate with switch.

SUPPLY

Includes 1 piece supplied with adjustable fixing brackets, mounting accessories and a bipolar connector for the wiring.

Available on request: magnetic mounting kit, male double pole connector for sequential lamps wiring, system positioning limit switch.



FLUORESCENT ELECTRONIC LAMP

110 ÷ 130V	220 ÷ 240V	W	LIGHT	WEIGHT
AC 50 ÷ 60 Hz	AC 50 ÷ 60 Hz			
WTLA-085 *	WTLA-095	8	400	380
WTLA-090 *	WTLA-100	13	600	560
	WTLA-105	21	900	860



* INTERTEK - ETL approval for USA and Canada




FLUORESCENT LAMP WTLA-030/WTLA-035

Fluorescent lamp 11W, 230V nominal voltage, with SCHUKO style power suitable for all the cabinets and panels:

- the installation support is included and further devices can be used
- the lamp can be mounted with screws on narrow or large areas and it can be fixed to DIN profiles of 35 mm
- available on request without plug (WTLA-035).



 Order fixing bracket WTSL-002 or magnetic support WTPM-001 separately.



LAMP SUPPORT WTSL-002

Manufactured from sendzimir sheet steel.



MAGNETIC PLATE WTPM-001

Compatible with previous range WTLA-030, WTLA-035, WTLA-050, WTLA-060, WTLA-065, WTLA-070.



MAGNETIC PLATE WTPM-002

Compatible with WTLA-085, WTLA-090, WTLA-095, WTLA-100, WTLA-105.

Used in alternative when the space available for fixing the lamp is reduced.

POWER CONNECTOR WTCA-001

Power connector for lamp joined in sequence.

 **SUPPLY**

Includes 1 piece with mounting accessories.

Suite



The ETA modular cabinet system with ETA patented busbar and support system meets these requirements:

Short circuit withstand test, conducted at the Bergamo ABB Sace laboratory and issued certificate no. 14116/00. A panel with the short circuit withstand values described above can be created meeting the data indicated in the "MAX BUSBAR SUPPORT DISTANCE" for Max 3200A rated current capacity according to the "Admissible copper busbar current carrying capacity" DIN43671 standard.

TECHNICAL FEATURES

Rated frequency	50Hz
Rated voltage Ue	400V~ o 690V~
Rated insulated voltage Ui	1000V
Rated impulse withstand voltage Uimp	12kV
Rated current	Up to 3200A In
Rated short-time withstand current Icw/1s	Up to 100kA
Admissible rated peak withstand current Ipk	Up to 220kA
Forms of segregation	Up to 4b
Normal operating conditions	Ambient T ≤ 40°C
	Pollution rating ≤ 3
	Installation height ≤ 2.000mt

MAXIMUM DISTANCE BETWEEN BUSBAR SUPPORTS

CAPACITY DIMENSIONS	BUSBAR DIMENSIONS	PHASES VALUE	Icw (kA)							
			30	40	50	60	70	80	100	
A	MM	MM								
630	1x40x10	117	560	420	380	-	-	-	-	
		143	600	500	440	-	-	-	-	
800	1x50x10	117	560	420	420	340	-	-	-	
		143	760	500	460	360	-	-	-	
1250	1x80x10	117	560	420	420	340	240	200	-	
		143	800	500	460	360	300	240	-	
1600	1x100x10	117	560	420	420	340	240	200	-	
		143	800	500	460	360	300	240	-	
2000	2x80x10	117	800	500	500	420	340	300	240	
		143	800	600	520	420	380	300	240	
2500	2x100x10	117	900	620	500	460	420	360	240	
		143	900	700	520	500	440	400	280	
3200	3x100x10	143	900	800	520	500	440	400	280	
Cross-section of the earthing conductor in relation to the ICW			30x5	40x5	40x5	40x10	40x10	40x10	50x10	

CABINETS FOR HORIZONTAL BUSBAR SYSTEMS

WIDTH	600
	800
	1000
HEIGHT	2000
	2200
DEPTH	600
	800
	1000

System with vertical busbar system available upon request (except for D=600mm cabinet)

Vertical busbar systems available upon request and based on the final application. Contact the Sales Office or Technical Department for feasibility and project development.



EARTHING CONDUCTOR BRACKETS EUST-001



Includes nr. 2 pieces with mounting accessories.

CENTRAL EARTHING CONDUCTOR BRACKET EUST-002



For cabinets with L>600 mm.

Includes nr. 1 piece with mounting accessories.

CROSSPIECES FOR HORIZONTAL BUSBAR SUPPORTS



Includes nr. 2 pieces with mounting accessories.

BUSBAR DUCT SEGREGATION



Includes nr. 1 piece with mounting accessories.

CROSSPIECES FOR HORIZONTAL BUSBAR SUPPORTS

PRODUCT CODE	CABINET WIDTH
EUTO-000600	600
EUTO-000800	800
EUTO-001000	1000

BUSBAR DUCT SEGREGATION

PRODUCT CODE	PHASES VALUE	WIDTH	DEPTH
EUSS-060060	117	600	600
EUSS-060080	117	600	800
EUSS-060100	117	600	1000
EUSS-080060	117	800	600
EUSS-080080	117	800	800
EUSS-080100	117	800	1000
EUSS-100060	117-143	1000	600
EUSS-100080	117-143	1000	800
EUSS-100100	117-143	1000	1000

HORIZONTAL BUSBAR SYSTEM L = 2000

PRODUCT CODE	DESCRIPTION	IN	BUSBAR SECTION	NEUTRAL BUSBAR SECTION
086 20 03 001	Tripolare	630	40x10	-
086 20 03 002	Tripolare	800	50x10	-
086 20 03 003	Tripolare	1250	80x10	-
086 20 03 004	Tripolare	1600	100x10	-
086 20 03 005	Tripolare	2000	2 (80x10)	-
086 20 03 006	Tripolare	2500	2 (100x10)	-
086 20 03 007	Tripolare	3200	3 (100x10)	-
086 20 04 001	Tetrapolare	630	40x10	40x5
086 20 04 002	Tetrapolare	800	50x10	50x5
086 20 04 003	Tetrapolare	1250	80x10	80x5
086 20 04 004	Tetrapolare	1600	100x10	100x5
086 20 04 005	Tetrapolare	2000	2 (80x10)	80x10
086 20 04 006	Tetrapolare	2500	2 (100x10)	100x10
086 20 04 007	Tetrapolare	3200	3 (100x10)	2 (100x10)

TRI-POLAR: minimum depth 500 mm (with pitch 117); FOUR-POLE: minimum depth 600 mm (with pitch 117).

BUSBAR SUPPORT *

PRODUCT CODE	IN	BUSBAR SECTION	PHASES VALUE	PRODUCT CODE	IN	BUSBAR SECTION	PHASES VALUE
086 15 01 001	630	40x10	117	086 15 02 001	630	40x10	143
086 15 01 002	800	50x10	117	086 15 02 002	800	50x10	143
086 15 01 003	1250	80x10	117	086 15 02 003	1250	80x10	143
086 15 01 004	1600	100x10	117	086 15 02 004	1600	100x10	143
086 15 01 005	2000	2 (80x10)	117	086 15 02 005	2000	2 (80x10)	143
086 15 01 006	2500	2 (100x10)	117	086 15 02 006	2500	2 (100x10)	143
				086 15 02 007	3200	3 (100x10)	143
				086 15 02 008	4000	3 (120x10)	143

* Not installable on panels with D < 1200mm

EXAMPLE

Cabinet dimensions 800 x 2000 x 600 (W x H x D) with blank front door and screwed rear panel, complete with mounting plate, side panels and plinth.

Suite

CODE		STRUCTURE
ENUX	0 8 2 0 0 6 P R	1 Indicative code
1	2 3 4 5	2 It shows the width of the cabinet
		3 It shows the height of the cabinet
		4 It shows the depth of the cabinet
		5 Suffix that shows the cabinet composition

PR stands for the cabinet structure with front door and screwed rear panel.
If a front glazed door is required, it is necessary to change the suffix PR with PV (ENUX082006PV). If blank doors are required in the front and in the rear, the suffix changes to DP (ENUX082006DP).

Single packaging.

CODE		FRONT INSERTED MOUNTING PLATE
EUPA -	0 8 0 2 0 0	1 Indicative code
1	2 3	2 It shows the cabinet width
		3 It shows the cabinet height

WTKB - 002

It shows a front inserted mounting plate.
If a side inserted mounting plate is required, the code is EUPL-080200.
Single packaging.

Mounting accessories for EUPA mounting plate (to be ordered separately).

CODE		SIDE PANELS (2 PIECES)
EUFI	0 6 0 2 0 0	1 Indicative code
1	2 3	2 It shows the depth of the cabinet
		3 It shows the height of the cabinet

It shows two side panels complete with mounting accessories.

Single packaging.

CODE		UNIVERSAL PLINTH EUZE
EUZE -	A 1 0 0	1 Indicative code
1	2	2 It shows the height of the plinth
EUZE -	T 0 8 0 0	1 Indicative code
1	2	2 It shows the cabinet/plinth width
EUZE -	T 0 6 0 0	1 Indicative code
1	2	2 It shows the cabinet/plinth depth

It shows the complete plinth H=100 mm, consisting in 3 different packages.

It shows the corner pieces of the plinth H=100, complete with front covers and mounting accessories (supply includes 4 pieces).

It shows the front crosspieces W=800 (supply includes 2 pieces).

It shows the side crosspieces D=600 (supply includes 2 pieces).

If a 200 mm high plinth is required, the code of the corner plinth is EUZE-A200, for the front and side crosspieces H=200, please add D to the code (EUZE-T0800D and EUZE-T0600D).

IN SUMMARY

CODES FOR AN ASSEMBLED E NUX		
1	ENUX082006PR	1 pc.
2	EUPA-080200	1 pc.
3	WTKB-002	1 pc.
4	EUFI060200	1 pc.
5	EUZE-A100	1 pc.
6	EUZE-T0800	1 pc.
7	EUZE-T0600	1 pc.

COMPLETE CABINET

EXAMPLE

Cabinet dimensions 800 x 2000 x 600 (W x H x D) with front blank door and screwed rear panel, complete with mounting plate, side panels and plinth.

<p>CODE</p> <p>EUTF 1 0 8 0 0 6 0</p> <p> 2 3</p>		<p>ROOF/BOTTOM</p> <p>1 Indicative code 2 It shows the width of the cabinet 3 It shows the depth of the cabinet</p>	<p>It shows roof and bottom pre-assembled. Single packaging complete with mounting screws.</p>
<p>CODE</p> <p>EUPO 1 0 8 0 2 0 0</p> <p> 2 3</p>		<p>FRONT BLANK DOOR</p> <p>1 Indicative code 2 It shows the width of the cabinet 3 It shows the height of the cabinet</p>	<p>It shows the blank door supplied with two uprights complete with pre-assembled hinges and closing latches. If a glazed door is required, the code is EUPV080200.</p> <p>Single packaging.</p>
<p>CODE</p> <p>EURE 1 0 8 0 2 0 0</p> <p> 2 3</p>		<p>REAR PANEL (SCREWED)</p> <p>1 Indicative code 2 It shows the width of the cabinet 3 It shows the height of the cabinet</p>	<p>It shows the screwed rear panel supplied with two uprights complete with pre-assembled blocks for fixing screws.</p> <p>Single packaging.</p>
<p>CODE</p> <p>EUPA - 1 0 8 0 2 0 0</p> <p> 2 3</p>		<p>FRONT INSERTED MOUNTING PLATE</p> <p>1 Indicative code 2 It shows the width of the cabinet 3 It shows the height of the cabinet</p>	<p>It shows a front inserted mounting plate. If a side inserted mounting plate is required, the code is EUPL-080200.</p> <p>Single packaging.</p>
<p>WTKB - 002</p>			<p>Mounting accessories of EUPA mounting plate (to be ordered separately).</p>
<p>CODE</p> <p>EUFI 1 0 6 0 2 0 0</p> <p> 2 3</p>		<p>SIDE PANELS (2 PIECES)</p> <p>1 Indicative code 2 It shows the depth of the cabinet 3 It shows the height of the cabinet</p>	<p>It shows the couple of the side panels complete with mounting accessories.</p> <p>Single packaging.</p>
<p>CODE</p> <p>EUZE - 1 A 1 0 0</p> <p> 2</p>		<p>UNIVERSAL PLINTH EUZE</p> <p>1 Indicative code 2 It shows the height of the plinth</p>	<p>It shows the complete plinth H=100mm, consisting in 3 different packages.</p> <p>It shows the corner pieces of the plinth H=100, complete with front covers and mounting accessories (supply includes 4 pieces)</p>
<p>EUZE - 1 T 0 8 0 0</p> <p> 2</p>		<p>1 Indicative code 2 It shows the cabinet/plinth width</p>	<p>It shows the front crosspieces W=800 (supply includes 2 pieces).</p>
<p>EUZE - 1 T 0 6 0 0</p> <p> 2</p>		<p>1 Indicative code 2 It shows the cabinet/plinth depth</p>	<p>It shows the side crosspieces D=600 (supply includes 2 pieces).</p> <p>If a 200 mm high plinth is required, the code of the corner plinth is EUZE-A200, for the front and side crosspieces H=200, please add D to the code (EUZE-T0800D and EUZE-T0600D).</p>

IN SUMMARY

CODES FOR A FLAT-PACK E NUX

1	EUTF080060	1 pc.	COMPLETE CABINET
2	EUPO080200	1 pc.	
3	EURE080200	1 pc.	
4	EUPA-080200	1 pc.	
5	WTKB-002	1 pc.	
6	EUFI060200	1 pc.	
7	EUZE-A100	1 pc.	
8	EUZE-T0800	1 pc.	
9	EUZE-T0600	1 pc.	



For any requirement following your purchase order, the spare parts listed in the table can be ordered.

SPARE PARTS - E NUX SHEET STEEL

Suite

DIMENSIONS			SINGLE BLANK DOOR WITHOUT UPRIGHTS	SPLIT/DOUBLE BLANK DOOR WITHOUT UPRIGHTS		ROOF PANEL (WITHOUT FRAME)	SINGLE SIDE PANEL	PACKET OF CABLE BOTTOM INLET CABLE FASTENERS	PACKET OF ROD MECHANISM LOCKING SYSTEMS	
L	H	P		STOPPED WITH HANDLE	WITH STOPPING DEVICE				SINGLE DOOR/ DOUBLE DOOR STOPPED	DOUBLE DOOR WITH STOPPING DEVICE
400	1600	400	EUPO040160SM	-	-	EUTEP040040	EUFI040160S	EUTGK040040	EUCG-01600	-
400	1600	500	EUPO040160SM	-	-	EUTEP040050	EUFI050160S	EUTGK040050	EUCG-01600	-
400	1600	600	EUPO040160SM	-	-	EUTEP040060	EUFI060160S	EUTGK040060	EUCG-01600	-
400	1800	400	EUPO040180SM	-	-	EUTEP040040	EUFI040180S	EUTGK040040	EUCG-01800	-
400	1800	500	EUPO040180SM	-	-	EUTEP040050	EUFI050180S	EUTGK040050	EUCG-01800	-
400	1800	600	EUPO040180SM	-	-	EUTEP040060	EUFI060180S	EUTGK040060	EUCG-01800	-
400	1800	800	EUPO040180SM	-	-	EUTEP040080	EUFI080180S	EUTGK040080	EUCG-01800	-
400	2000	400	EUPO040200SM	-	-	EUTEP040040	EUFI040200S	EUTGK040040	EUCG-02000	-
400	2000	500	EUPO040200SM	-	-	EUTEP040050	EUFI050200S	EUTGK040050	EUCG-02000	-
400	2000	600	EUPO040200SM	-	-	EUTEP040060	EUFI060200S	EUTGK040060	EUCG-02000	-
400	2000	800	EUPO040200SM	-	-	EUTEP040080	EUFI080200S	EUTGK040080	EUCG-02000	-
400	2200	400	EUPO040220SM	-	-	EUTEP040040	EUFI040220S	EUTGK040040	EUCG-02200	-
400	2200	500	EUPO040220SM	-	-	EUTEP040050	EUFI050220S	EUTGK040050	EUCG-02200	-
400	2200	600	EUPO040220SM	-	-	EUTEP040060	EUFI060220S	EUTGK040060	EUCG-02200	-
400	2200	800	EUPO040220SM	-	-	EUTEP040080	EUFI080220S	EUTGK040080	EUCG-02200	-
600	1400	400	EUPO060140SM	-	-	EUTEP060040	EUFI040140S	EUTGK060040	EUCG-01400	-
600	1400	500	EUPO060140SM	-	-	EUTEP060050	EUFI050140S	EUTGK060050	EUCG-01400	-
600	1600	400	EUPO060160SM	-	-	EUTEP060040	EUFI040160S	EUTGK060040	EUCG-01600	-
600	1600	500	EUPO060160SM	-	-	EUTEP060050	EUFI050160S	EUTGK060050	EUCG-01600	-
600	1600	600	EUPO060160SM	-	-	EUTEP060060	EUFI060160S	EUTGK060060	EUCG-01600	-
600	1800	400	EUPO060180SM	-	-	EUTEP060040	EUFI040180S	EUTGK060040	EUCG-01800	-
600	1800	500	EUPO060180SM	-	-	EUTEP060050	EUFI050180S	EUTGK060050	EUCG-01800	-
600	1800	600	EUPO060180SM	-	-	EUTEP060060	EUFI060180S	EUTGK060060	EUCG-01800	-
600	1800	800	EUPO060180SM	-	-	EUTEP060080	EUFI080180S	EUTGK060080	EUCG-01800	-
600	2000	400	EUPO060200SM	-	-	EUTEP060040	EUFI040200S	EUTGK060040	EUCG-02000	-
600	2000	500	EUPO060200SM	-	-	EUTEP060050	EUFI050200S	EUTGK060050	EUCG-02000	-
600	2000	600	EUPO060200SM	-	-	EUTEP060060	EUFI060200S	EUTGK060060	EUCG-02000	-
600	2000	800	EUPO060200SM	-	-	EUTEP060080	EUFI080200S	EUTGK060080	EUCG-02000	-
600	2000	1000	EUPO060200SM	-	-	EUTEP060100	EUFI100200S	EUTGK060100	EUCG-02000	-
600	2200	500	EUPO060220SM	-	-	EUTEP060050	EUFI050220S	EUTGK060050	EUCG-02200	-
600	2200	600	EUPO060220SM	-	-	EUTEP060060	EUFI060220S	EUTGK060060	EUCG-02200	-
600	2200	800	EUPO060220SM	-	-	EUTEP060080	EUFI080220S	EUTGK060080	EUCG-02200	-
800	1400	400	EUPO080140SM	-	-	EUTEP080040	EUFI040140S	EUTGK080040	EUCG-01400	-
800	1400	500	EUPO080140SM	-	-	EUTEP080050	EUFI050140S	EUTGK080050	EUCG-01400	-
800	1600	400	EUPO080160SM	-	-	EUTEP080040	EUFI040160S	EUTGK080040	EUCG-01600	-
800	1600	500	EUPO080160SM	-	-	EUTEP080050	EUFI050160S	EUTGK080050	EUCG-01600	-
800	1600	600	EUPO080160SM	-	-	EUTEP080060	EUFI060160S	EUTGK080060	EUCG-01600	-
800	1800	400	EUPO080180SM	-	-	EUTEP080040	EUFI040180S	EUTGK080040	EUCG-01800	-
800	1800	500	EUPO080180SM	-	-	EUTEP080050	EUFI050180S	EUTGK080050	EUCG-01800	-
800	1800	600	EUPO080180SM	-	-	EUTEP080060	EUFI060180S	EUTGK080060	EUCG-01800	-
800	1800	800	EUPO080180SM	-	-	EUTEP080080	EUFI080180S	EUTGK080080	EUCG-01800	-
800	2000	400	EUPO080200SM	-	-	EUTEP080040	EUFI040200S	EUTGK080040	EUCG-02000	-
800	2000	500	EUPO080200SM	-	-	EUTEP080050	EUFI050200S	EUTGK080050	EUCG-02000	-
800	2000	600	EUPO080200SM	-	-	EUTEP080060	EUFI060200S	EUTGK080060	EUCG-02000	-
800	2000	800	EUPO080200SM	-	-	EUTEP080080	EUFI080200S	EUTGK080080	EUCG-02000	-
800	2000	1000	EUPO080200SM	-	-	EUTEP080100	EUFI100200S	EUTGK080100	EUCG-02000	-
800	2200	500	EUPO080220SM	-	-	EUTEP080050	EUFI050220S	EUTGK080050	EUCG-02200	-
800	2200	600	EUPO080220SM	-	-	EUTEP080060	EUFI060220S	EUTGK080060	EUCG-02200	-
800	2200	800	EUPO080220SM	-	-	EUTEP080080	EUFI080220S	EUTGK080080	EUCG-02200	-

SPARE PARTS - E NUX SHEET STEEL

DIMENSIONS			SINGLE BLANK DOOR WITHOUT UPRIGHTS	SPLIT/DOUBLE BLANK DOOR WITHOUT UPRIGHTS		ROOF PANEL (WITHOUT FRAME)	SINGLE SIDE PANEL	PACKET OF CABLE BOTTOM INLET CABLE FASTENERS	PACKET OF ROD MECHANISM LOCKING SYSTEMS	
L	H	P		STOPPED WITH HANDLE	WITH STOPPING DEVICE				SINGLE DOOR/ DOUBLE DOOR STOPPED	DOUBLE DOOR WITH STOPPING DEVICE
1000	1600	400	EUP0100160SM	EUP0100160DPSMI	EUP0100160DPSMC	EUTEP100040	EUF040160S	EUTGK100040	EUCG-01600	EUCG-01600C
1000	1600	500	EUP0100160SM	EUP0100160DPSMI	EUP0100160DPSMC	EUTEP100050	EUF050160S	EUTGK100050	EUCG-01600	EUCG-01600C
1000	1600	600	EUP0100160SM	EUP0100160DPSMI	EUP0100160DPSMC	EUTEP100060	EUF060160S	EUTGK100060	EUCG-01600	EUCG-01600C
1000	1800	400	EUP0100180SM	EUP0100180DPSMI	EUP0100180DPSMC	EUTEP100040	EUF040180S	EUTGK100040	EUCG-01800	EUCG-01800C
1000	1800	500	EUP0100180SM	EUP0100180DPSMI	EUP0100180DPSMC	EUTEP100050	EUF050180S	EUTGK100050	EUCG-01800	EUCG-01800C
1000	1800	600	EUP0100180SM	EUP0100180DPSMI	EUP0100180DPSMC	EUTEP100060	EUF060180S	EUTGK100060	EUCG-01800	EUCG-01800C
1000	1800	800	EUP0100180SM	EUP0100180DPSMI	EUP0100180DPSMC	EUTEP100080	EUF080180S	EUTGK100080	EUCG-01800	EUCG-01800C
1000	2000	400	EUP0100200SM	EUP0100200DPSMI	EUP0100200DPSMC	EUTEP100040	EUF040200S	EUTGK100040	EUCG-02000	EUCG-02000C
1000	2000	500	EUP0100200SM	EUP0100200DPSMI	EUP0100200DPSMC	EUTEP100050	EUF050200S	EUTGK100050	EUCG-02000	EUCG-02000C
1000	2000	600	EUP0100200SM	EUP0100200DPSMI	EUP0100200DPSMC	EUTEP100060	EUF060200S	EUTGK100060	EUCG-02000	EUCG-02000C
1000	2000	800	EUP0100200SM	EUP0100200DPSMI	EUP0100200DPSMC	EUTEP100080	EUF080200S	EUTGK100080	EUCG-02000	EUCG-02000C
1000	2200	500	EUP0100220SM	EUP0100220DPSMI	EUP0100220DPSMC	EUTEP100050	EUF050220S	EUTGK100050	EUCG-02200	EUCG-02200C
1000	2200	600	EUP0100220SM	EUP0100220DPSMI	EUP0100220DPSMC	EUTEP100060	EUF060220S	EUTGK100060	EUCG-02200	EUCG-02200C
1000	2200	800	EUP0100220SM	EUP0100220DPSMI	EUP0100220DPSMC	EUTEP100080	EUF080220S	EUTGK100080	EUCG-02200	EUCG-02200C
1200	1400	400	-	EUP0120140SMI	EUP0120140SMC	EUTEP120040	EUF040140S	EUTGK120040	-	EUCG-01400C
1200	1400	500	-	EUP0120140SMI	EUP0120140SMC	EUTEP120050	EUF050140S	EUTGK120050	-	EUCG-01400C
1200	1600	400	-	EUP0120160SMI	EUP0120160SMC	EUTEP120040	EUF040160S	EUTGK120040	-	EUCG-01600C
1200	1600	500	-	EUP0120160SMI	EUP0120160SMC	EUTEP120050	EUF050160S	EUTGK120050	-	EUCG-01600C
1200	1600	600	-	EUP0120160SMI	EUP0120160SMC	EUTEP120060	EUF060160S	EUTGK120060	-	EUCG-01600C
1200	1800	400	-	EUP0120180SMI	EUP0120180SMC	EUTEP120040	EUF040180S	EUTGK120040	-	EUCG-01800C
1200	1800	500	-	EUP0120180SMI	EUP0120180SMC	EUTEP120050	EUF050180S	EUTGK120050	-	EUCG-01800C
1200	1800	600	-	EUP0120180SMI	EUP0120180SMC	EUTEP120060	EUF060180S	EUTGK120060	-	EUCG-01800C
1200	1800	800	-	EUP0120180SMI	EUP0120180SMC	EUTEP120080	EUF080180S	EUTGK120080	-	EUCG-01800C
1200	2000	400	-	EUP0120200SMI	EUP0120200SMC	EUTEP120040	EUF040200S	EUTGK120040	-	EUCG-02000C
1200	2000	500	-	EUP0120200SMI	EUP0120200SMC	EUTEP120050	EUF050200S	EUTGK120050	-	EUCG-02000C
1200	2000	600	-	EUP0120200SMI	EUP0120200SMC	EUTEP120060	EUF060200S	EUTGK120060	-	EUCG-02000C
1200	2000	800	-	EUP0120200SMI	EUP0120200SMC	EUTEP120080	EUF080200S	EUTGK120080	-	EUCG-02000C
1200	2000	1000	-	EUP0120200SMI	EUP0120200SMC	EUTEP120100	EUF100200S	EUTGK120100	-	EUCG-02000C
1200	2200	500	-	EUP0120220SMI	EUP0120220SMC	EUTEP120050	EUF050220S	EUTGK120050	-	EUCG-02200C
1200	2200	600	-	EUP0120220SMI	EUP0120220SMC	EUTEP120060	EUF060220S	EUTGK120060	-	EUCG-02200C
1200	2200	800	-	EUP0120220SMI	EUP0120220SMC	EUTEP120080	EUF080220S	EUTGK120080	-	EUCG-02200C
1400	2000	400	-	EUP0140200SMI	EUP0140200SMC	EUTEP140040	EUF040200S	EUTGK140040	-	EUCG-02000C
1400	2000	500	-	EUP0140200SMI	EUP0140200SMC	EUTEP140050	EUF050200S	EUTGK140050	-	EUCG-02000C
1400	2000	600	-	EUP0140200SMI	EUP0140200SMC	EUTEP140060	EUF060200S	EUTGK140060	-	EUCG-02000C
1400	2000	800	-	EUP0140200SMI	EUP0140200SMC	EUTEP140080	EUF080200S	EUTGK140080	-	EUCG-02000C
1600	1400	400	-	EUP0160140SMI	EUP0160140SMC	EUTEP160040	EUF040140S	EUTGK160040	-	EUCG-01400C
1600	1400	500	-	EUP0160140SMI	EUP0160140SMC	EUTEP160050	EUF050140S	EUTGK160050	-	EUCG-01400C
1600	2000	400	-	EUP0160200SMI	EUP0160200SMC	EUTEP160040	EUF040200S	EUTGK160040	-	EUCG-02000C
1600	2000	500	-	EUP0160200SMI	EUP0160200SMC	EUTEP160050	EUF050200S	EUTGK160050	-	EUCG-02000C
1600	2000	600	-	EUP0160200SMI	EUP0160200SMC	EUTEP160060	EUF060200S	EUTGK160060	-	EUCG-02000C
1600	2000	800	-	EUP0160200SMI	EUP0160200SMC	EUTEP160080	EUF080200S	EUTGK160080	-	EUCG-02000C

Suite