



CHARACTERISTICS

Structure manufactured from AISI304L stainless steel sheet (AISI 316L on request). Door manufactured from AISI304L stainless steel sheet (AISI316L on request). Front inserted mounting plate manufactured from sendzimir sheet steel.

SUPPLY

Enclosure complete with:

- door with formed corners complete with \varnothing 3 mm lever-operated double bar locking system, 2 stiffening sendzimir profiles and silicone seal
- adjustable cable entry
- front inserted mounting plate.

PROTECTION RATING

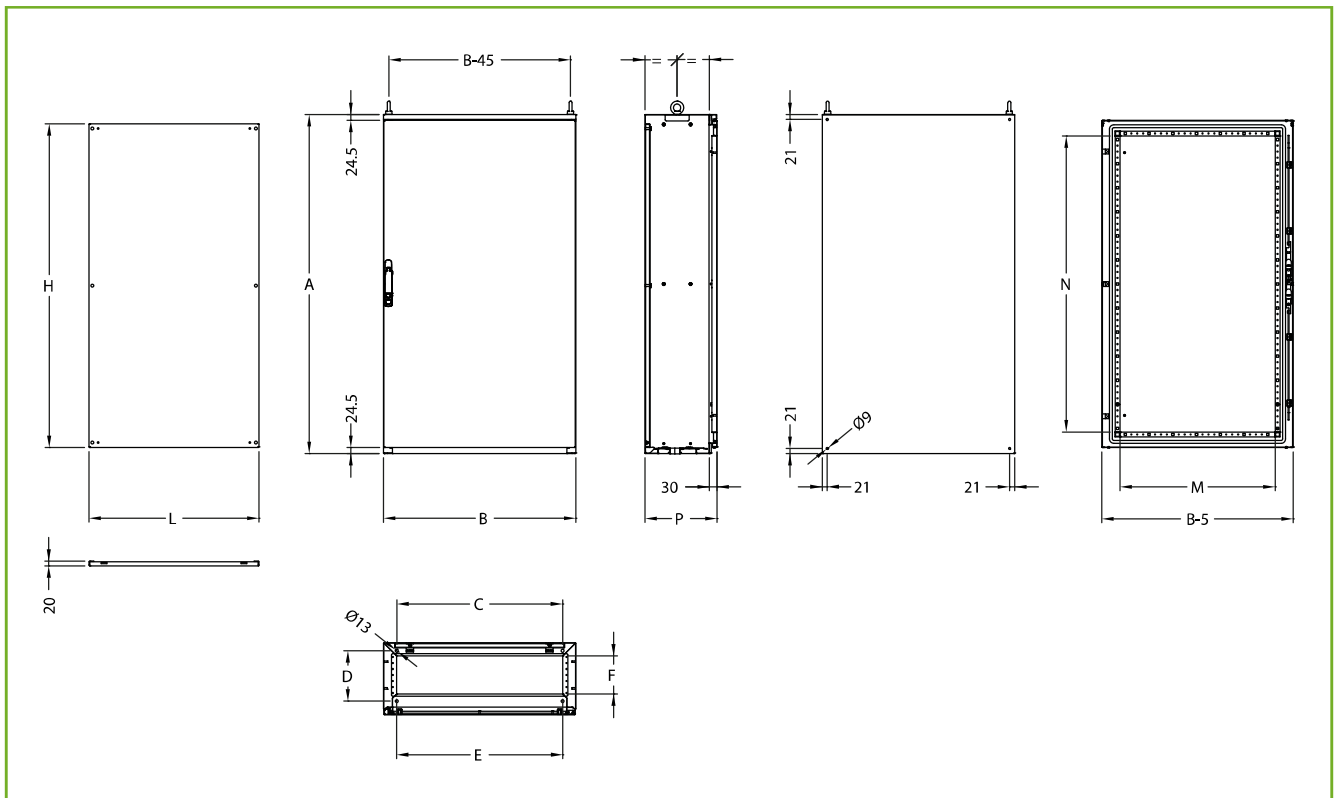
- IP55 complying with IEC EN62208; EN62262
- NEMA 12 complying with UL508A; UL50*
- protection degree guaranteed by the two-component silicone foam seal
- impact resistance IK10 complying with IEC EN62208; EN62262.

Available on request.



* NEMA 4X available on request.

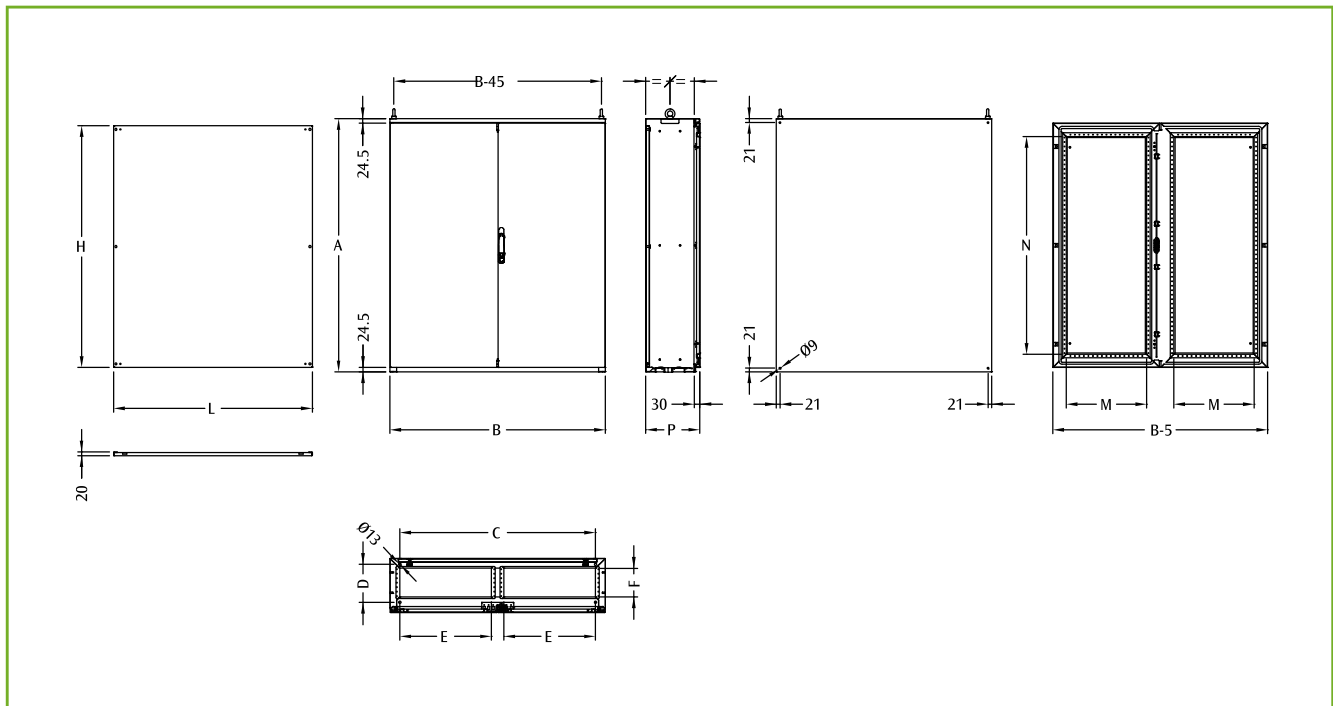
Stainless steel



E COMP STAINLESS STEEL WITH SINGLE DOOR

E COMP CODE	CABINET DIMENSIONS			FLOOR FIXING		CABLE ENTRY		DOOR SPACE		MOUNT. PLATE DIM.	
	B	A	P	C	D	E	F	M	N	L	H
ECOMP6-1240X	600	1209	400	550	320	490	260	445	1030	506	1145
ECOMP6-1430X	600	1409	300	550	220	490	160	445	1230	506	1345
ECOMP6-1440X	600	1409	400	550	320	490	260	445	1230	506	1345
ECOMP8-1240X	800	1209	400	750	320	690	260	645	1030	706	1145
ECOMP8-1430X	800	1409	300	750	220	690	160	645	1230	706	1345
ECOMP8-1440X	800	1409	400	750	320	690	260	645	1230	706	1345

To order the item in high grade AISI 316L, add the suffix "H" to the code. (i.e.: ECOMP6-1240XH).



Stainless steel

E COMP STAINLESS STEEL WITH DOUBLE DOOR

E COMP CODE	CABINET DIMENSIONS			FLOOR FIXING		CABLE ENTRY		DOOR SPACE		MOUNT. PLATE DIM.	
	B	A	P	C	D	E	F	M	N	L	H
ECOMP10-1240X	1000	1209	400	950	320	390	260	345	1030	906	1145
ECOMP10-1430X	1000	1409	300	950	220	390	160	345	1230	906	1345
ECOMP10-1440X	1000	1409	400	950	320	390	260	345	1230	906	1345
ECOMP12-1240X	1200	1209	400	1150	320	490	260	345	1030	1106	1145
ECOMP12-1430X	1200	1409	300	1150	220	490	160	445	1230	1106	1345
ECOMP12-1440X	1200	1409	400	1150	320	490	260	445	1230	1106	1345

To order the item in high grade AISI 316L, add the suffix "H" to the code. (i.e.: ECOMP10-1240XH).

PLINTH EUZX

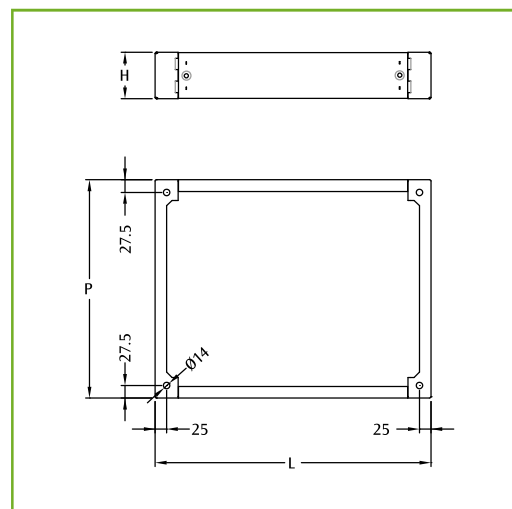
CHARACTERISTICS

Front crosspieces and side crosspieces with integrated corners manufactured from AISI 304L stainless steel (AISI 316L on request).

SUPPLY

The plinth is made up of:

- front crosspieces: supply includes 2 pieces
- side crosspieces with integrated corners: supply includes 2 pieces with mounting screws.



DIMENSIONAL SPECIFICATIONS

CABINET DIMENSIONS		PLINTH DIM.	
WIDTH	DEPTH	L	P
600	400	600	365
600	500	600	465
800	400	800	365
800	500	800	465
1000	400	1000	365
1000	500	1000	465
1200	400	1200	365
1200	500	1200	465

FRONT CROSSPIECES E MOX

EUZX CODE	DESCRIPTION
EUZX-L0600M	FRONT. CROSSPIECES FOR PLINTH W=600
EUZX-L0800M	FRONT. CROSSPIECES FOR PLINTH W=800
EUZX-L1000M	FRONT. CROSSPIECES FOR PLINTH W=1000
EUZX-L1200M	FRONT. CROSSPIECES FOR PLINTH W=1200

To order the plinth H=200mm, order 2 packages of front crosspieces (i.e. Plinth H=200 mm dim. 800x500: 1 x EUZX-P0500MD + 2 x EUZX-L0800M).

To order the item in higher grade AISI316L, add the suffix "H" to the code (i.e. EUZX-P0500MH).

SIDE CROSSPIECES WITH INTEGRATED CORNERS E MOX

EUZX CODE	DESCRIPTION	CROSS. HEIGHT MM
EUZX-P0400M	SIDE CROSSPIECES WITH INTEGRATED CORNERS FOR PLINTH D=400	100
EUZX-P0400MD	SIDE CROSSPIECES WITH INTEGRATED CORNERS FOR PLINTH D=400	200
EUZX-P0500M	SIDE CROSSPIECES WITH INTEGRATED CORNERS FOR PLINTH D=500	100
EUZX-P0500MD	SIDE CROSSPIECES WITH INTEGRATED CORNERS FOR PLINTH D=500	200


Stainless steel

DIMENSIONAL SPECIFICATIONS

CABINET DIMENSIONS		PLINTH DIM.	
WIDTH	DEPTH	L	P
600	300	600	275
600	400	600	375
800	300	800	275
800	400	800	375
1000	300	1000	275
1000	400	1000	375
1200	300	1200	275
1200	400	1200	375

FRONT CROSSPIECES E COMP

EUZX CODE	DESCRIPTION
EUZX-L0600M	FRONT. CROSSPIECES FOR PLINTH W=600
EUZX-L0800M	FRONT. CROSSPIECES FOR PLINTH W=800
EUZX-L1000M	FRONT. CROSSPIECES FOR PLINTH W=1000
EUZX-L1200M	FRONT. CROSSPIECES FOR PLINTH W=1200

 To order the plinth H=200 mm, order 2 packages of front crosspieces (i.e. Plinth H=200 mm dim. 600x400: 1 x EUZX-P0400PD + 2 x EUZX-L0600M).

To order the item in higher grade AISI316L, add the suffix "H" to the code (i.e. EUZX-P0500PH).

SIDE CROSSPIECES WITH INTEGRATED CORNERS E COMP

EUZX CODE	DESCRIPTION	CROSS. HEIGHT MM
EUZX-P0300P	SIDE CROSSPIECES WITH INTEGRATED CORNERS FOR PLINTH D=300	100
EUZX-P0300PD	SIDE CROSSPIECES WITH INTEGRATED CORNERS FOR PLINTH D=300	200
EUZX-P0400P	SIDE CROSSPIECES WITH INTEGRATED CORNERS FOR PLINTH D=400	100
EUZX-P0400PD	SIDE CROSSPIECES WITH INTEGRATED CORNERS FOR PLINTH D=400	200



180° HINGES EUCE

Chrome hinges for 180° opening (door requires machining to fit).

SUPPLY

Includes 3 pieces with mounting screws (EUCE-180008C).
Includes 4 pieces with mounting screws (EUCE-180009C).



EYEBOLTS WTGS-003

Zincpassivated M12 lifting eyebolts.

SUPPLY

Includes 2 pieces with nuts and washers.

Stainless steel

COMPATIBILITY WITH E NUX SYSTEM AND ETA ACCESSORIES:

- vertical uprights EUMI, see page 106
- rails WTPR H=50 mm
- microswitch WI100M
- further ETA accessories for the inner mounting.

WALL MOUNTING BRACKETS SDWCX-010

Manufactured from AISI 316L stainless steel.

SUPPLY

Includes 4 pieces.

FURTHER ACCESSORIES

- vertical rails, see page 116
- fast-fixing brackets WTPR-R, see page 116
- sliding rails ECPP, see page 116.