

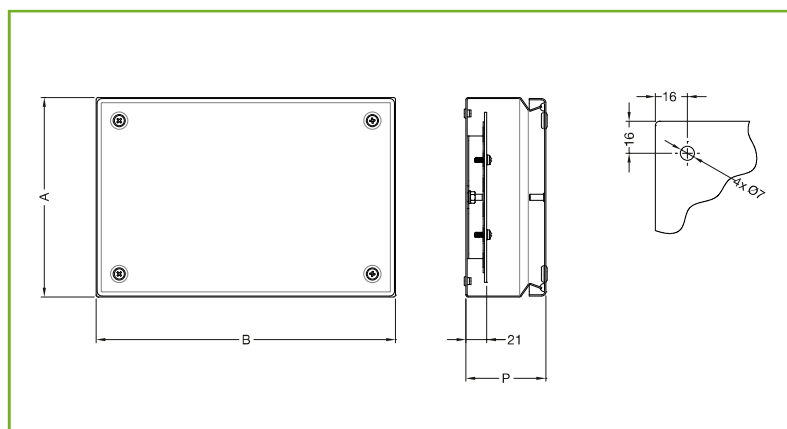


CHARACTERISTICS

Boxes and door manufactured from AISI 304L stainless steel sheet (AISI 316L on request). Lid provided with stainless steel captive screws, silicone seal and formed corners for improved aesthetics.

PROTECTION RATING

- IP66 complying with IEC EN62208, EN62262
- IP69K complying with DIN 40050-9
- NEMA 4X complying with UL508A; UL50
- protection degree guaranteed by the two-component silicone foam seal
- impact resistance IK10 complying with IEC EN62208; EN62262.



Safety and easiness - thanks to the innovative lid fixed with ¼ turns captive screws.

Performance - thanks to the formed corners and the silicone seal.

Eye-catching aesthetics - with specific stainless steel fastening brackets.

STAINLESS STEEL TERMINAL BOXES

E GRAN CODE	BOX DIMENSIONS		
	B	A	P
EGRAN1-108X	150	150	80
EGRAN2-208X	200	200	80
EGRAN3-208X	300	200	80
EGRAN1-112X	150	150	120
EGRAN4-212X	400	200	120
EGRAN3-312X	300	300	120

Stainless steel

DIN profiles (pag. 191) mounting plate and wall-mounting brackets SHWCX-010 (pag. 239) to be ordered separately.

To order the item in high grade AISI 316L, add the suffix "H" to the code (i.e.: EGRAN1-108XH).

MOUNTING PLATE SDPA

CHARACTERISTICS

Manufactured from sendzimir sheet steel.

SUPPLY

Includes 1 piece.

MOUNTING PLATE

SDPA CODE	BOX DIMENSIONS		B	A
	WIDTH	HEIGHT		
SDPA-11	150	150	140	140
SDPA-22	200	200	176	170
SDPA-32	300	200	276	170
SDPA-33	300	300	276	270
SDPA-42	400	200	376	170

