



### CHARACTERISTICS

Structure manufactured from AISI304L stainless steel sheet with removable rear panel (AISI 316L on request). Door manufactured from AISI304L stainless steel sheet with stiffening frame (AISI 316L on request). Front inserted mounting plate manufactured from sendzimir sheet steel (for E MOX  $W \geq 1000$  mm, EUPA mounting plate. Hinges in AISI316L stainless steel.

### SUPPLY

- cabinet structure with upper aesthetic profiles and rear panel
- door with formed corners complete with  $\varnothing 3$  mm lever-operated double bar locking system, silicone seal and tubular stiffening frame
- modular and adjustable cable entry with sealing gasket
- front-inserted mounting plate.

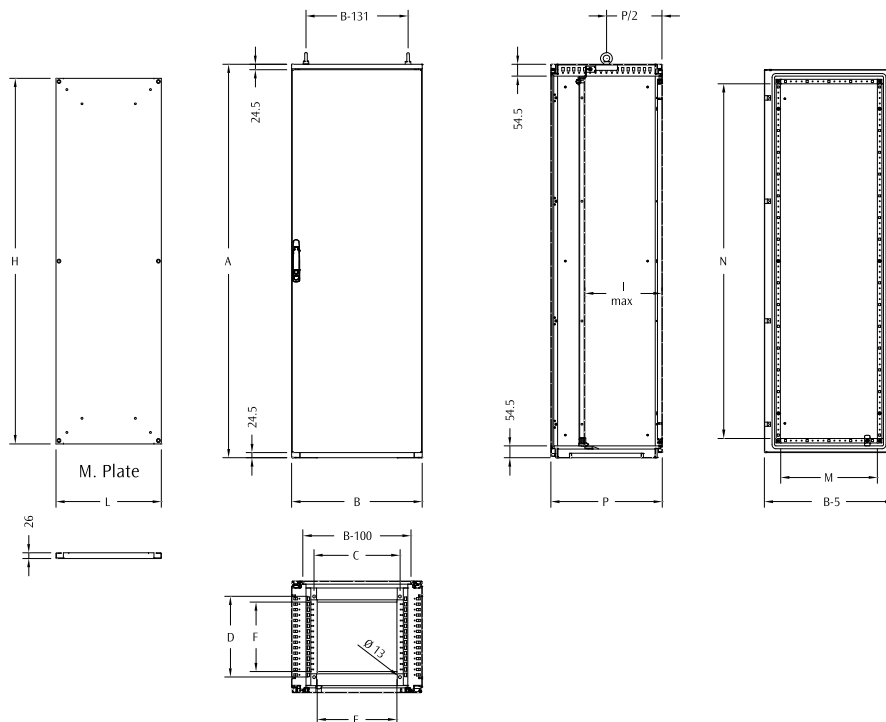
### PROTECTION RATING

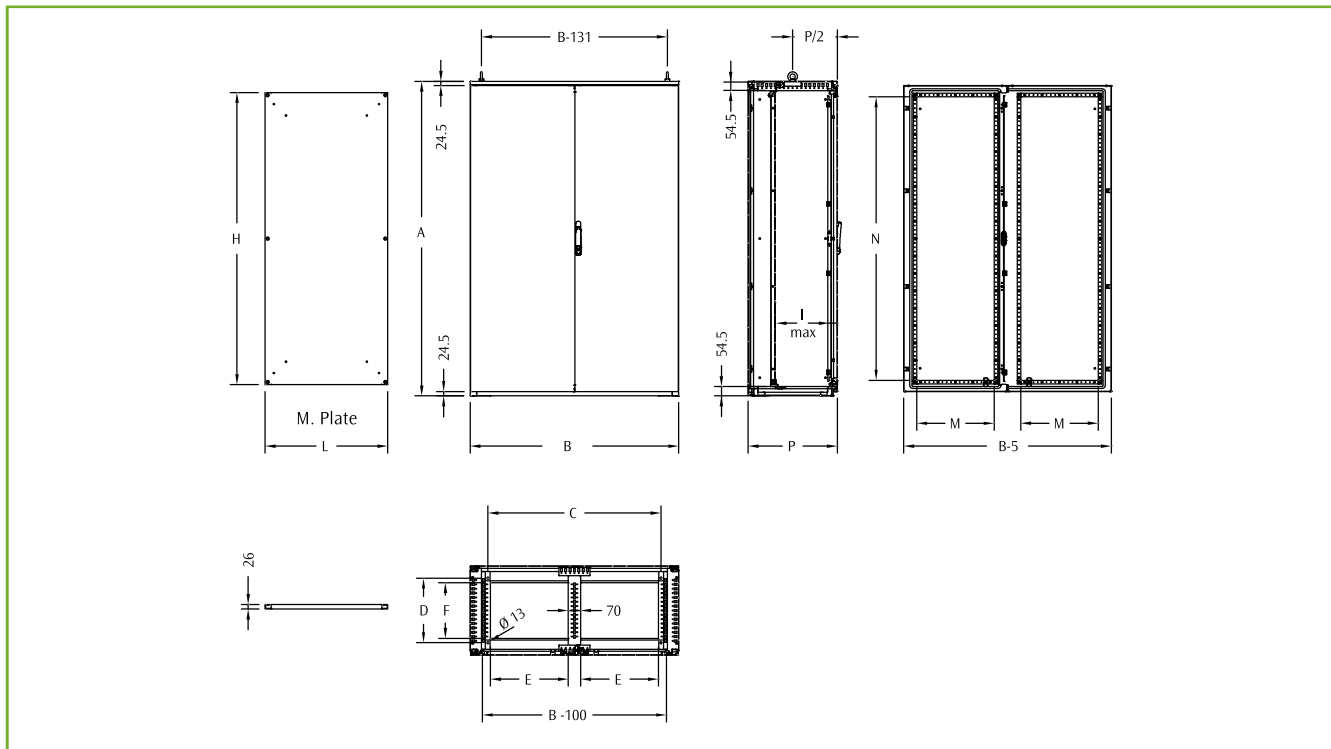
- IP66 (single blank door), IP55 plexi and double door) complying with IEC EN62208; EN62262
- NEMA 12 complying with UL508A; UL50\*
- protection degree guaranteed by the two-component silicone foam seal
- impact resistance IK10 complying with IEC EN62208; EN62262.



\* NEMA 4X available on request.

Stainless steel





### E MOX STAINLESS STEEL WITH SINGLE BLANK DOOR

E MOX CODE	CABINET DIMENSIONS			FLOOR FIXING		CABLE ENTRY		DOOR SPACE		MOUNTING PLATE DIM.		
	B	A	P	C	D	E	F	M	N	L	H	I
EMOX-061604PRX	600	1609	414	550	310	365	220	445	1430	485	1480	350
EMOX-061804PRX	600	1809	414	550	310	365	220	445	1630	485	1680	350
EMOX-061805PRX	600	1809	514	550	410	365	320	445	1630	485	1680	450
EMOX-062004PRX	600	2009	414	550	310	365	220	445	1830	485	1880	350
EMOX-062005PRX	600	2009	514	550	410	365	320	445	1830	485	1880	450
EMOX-081604PRX	800	1609	414	750	310	565	220	645	1430	685	1480	350
EMOX-081804PRX	800	1809	414	750	310	565	220	645	1630	685	1680	350
EMOX-081805PRX	800	1809	514	750	410	565	320	645	1630	685	1680	450
EMOX-082004PRX	800	2009	414	750	310	565	220	645	1830	685	1880	350
EMOX-082005PRX	800	2009	514	750	410	565	320	645	1830	685	1880	450
EMOX-101804PRX	1000	1809	414	950	310	765	220	845	1630	885	1680	350
EMOX-102004PRX	1000	2009	414	950	310	765	220	845	1830	885	1880	350

Stainless steel

To order the item in high grade AISI 316L, add the suffix "H" to the code. (i.e.: EMOX-061604PRXH).

### E MOX STAINLESS STEEL WITH DOUBLE BLANK DOOR

E MOX CODE	CABINET DIMENSIONS			FLOOR FIXING		CABLE ENTRY		DOOR SPACE		MOUNTING PLATE DIM.		
	B	A	P	C	D	E	F	M	N	L	H	I
EMOX-121804PRX	1200	1809	414	995	310	447	220	445	1630	1085	1680	350
EMOX-121805PRX	1200	1809	514	995	410	447	320	445	1630	1085	1680	450
EMOX-122004PRX	1200	2009	414	995	310	447	220	445	1830	1085	1880	350

To order the item in high grade AISI 316L, add the suffix "H" to the code. (i.e.: EMOX-121804PRXH).

## PLINTH EUZX

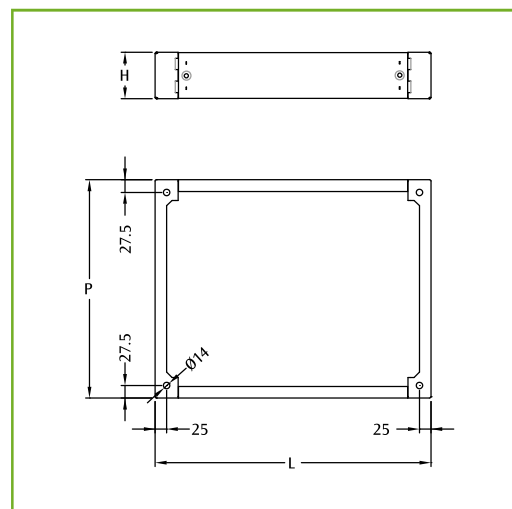
### CHARACTERISTICS

Front crosspieces and side crosspieces with integrated corners manufactured from AISI 304L stainless steel (AISI 316L on request).

### SUPPLY

The plinth is made up of:

- front crosspieces: supply includes 2 pieces
- side crosspieces with integrated corners: supply includes 2 pieces with mounting screws.



### DIMENSIONAL SPECIFICATIONS

CABINET DIMENSIONS		PLINTH DIM.	
WIDTH	DEPTH	L	P
600	400	600	365
600	500	600	465
800	400	800	365
800	500	800	465
1000	400	1000	365
1000	500	1000	465
1200	400	1200	365
1200	500	1200	465

### FRONT CROSSPIECES E MOX

EUZX CODE	DESCRIPTION
EUZX-L0600M	FRONT. CROSSPIECES FOR PLINTH W=600
EUZX-L0800M	FRONT. CROSSPIECES FOR PLINTH W=800
EUZX-L1000M	FRONT. CROSSPIECES FOR PLINTH W=1000
EUZX-L1200M	FRONT. CROSSPIECES FOR PLINTH W=1200

To order the plinth H=200mm, order 2 packages of front crosspieces (i.e. Plinth H=200 mm dim. 800x500: 1 x EUZX-P0500MD + 2 x EUZX-L0800M).

To order the item in higher grade AISI316L, add the suffix "H" to the code (i.e. EUZX-P0500MH).

### SIDE CROSSPIECES WITH INTEGRATED CORNERS E MOX


EUZX CODE	DESCRIPTION	CROSS. HEIGHT MM
EUZX-P0400M	SIDE CROSSPIECES WITH INTEGRATED CORNERS FOR PLINTH D=400	100
EUZX-P0400MD	SIDE CROSSPIECES WITH INTEGRATED CORNERS FOR PLINTH D=400	200
EUZX-P0500M	SIDE CROSSPIECES WITH INTEGRATED CORNERS FOR PLINTH D=500	100
EUZX-P0500MD	SIDE CROSSPIECES WITH INTEGRATED CORNERS FOR PLINTH D=500	200

### DIMENSIONAL SPECIFICATIONS

CABINET DIMENSIONS		PLINTH DIM.	
WIDTH	DEPTH	L	P
600	300	600	275
600	400	600	375
800	300	800	275
800	400	800	375
1000	300	1000	275
1000	400	1000	375
1200	300	1200	275
1200	400	1200	375

### FRONT CROSSPIECES E COMP

EUZX CODE	DESCRIPTION
EUZX-L0600M	FRONT. CROSSPIECES FOR PLINTH W=600
EUZX-L0800M	FRONT. CROSSPIECES FOR PLINTH W=800
EUZX-L1000M	FRONT. CROSSPIECES FOR PLINTH W=1000
EUZX-L1200M	FRONT. CROSSPIECES FOR PLINTH W=1200

 To order the plinth H=200 mm, order 2 packages of front crosspieces (i.e. Plinth H=200 mm dim. 600x400: 1 x EUZX-P0400PD + 2 x EUZX-L0600M).

To order the item in higher grade AISI316L, add the suffix "H" to the code (i.e. EUZX-P0500PH).

### SIDE CROSSPIECES WITH INTEGRATED CORNERS E COMP

EUZX CODE	DESCRIPTION	CROSS. HEIGHT MM
EUZX-P0300P	SIDE CROSSPIECES WITH INTEGRATED CORNERS FOR PLINTH D=300	100
EUZX-P0300PD	SIDE CROSSPIECES WITH INTEGRATED CORNERS FOR PLINTH D=300	200
EUZX-P0400P	SIDE CROSSPIECES WITH INTEGRATED CORNERS FOR PLINTH D=400	100
EUZX-P0400PD	SIDE CROSSPIECES WITH INTEGRATED CORNERS FOR PLINTH D=400	200



#### 180° HINGES EUCE

Chrome hinges for 180° opening (door requires machining to fit).

#### SUPPLY

Includes 3 pieces with mounting screws (EUCE-180008C).  
Includes 4 pieces with mounting screws (EUCE-180009C).



#### EYEBOLTS WTGS-003

Zinc-passivated M12 lifting eyebolts.

#### SUPPLY

Includes 2 pieces with nuts and washers.

Stainless steel

### COMPATIBILITY WITH E NUX SYSTEM AND ETA ACCESSORIES:

- vertical uprights EUMI, see page 106
- rails WTPR H=50 mm
- microswitch WI100M
- further ETA accessories for the inner mounting.

### WALL MOUNTING BRACKETS SDWCX-010

Manufactured from AISI 316L stainless steel.

#### SUPPLY

Includes 4 pieces.

### FURTHER ACCESSORIES

- vertical rails, see page 116
- fast-fixing brackets WTPR-R, see page 116
- sliding rails ECPP, see page 116.